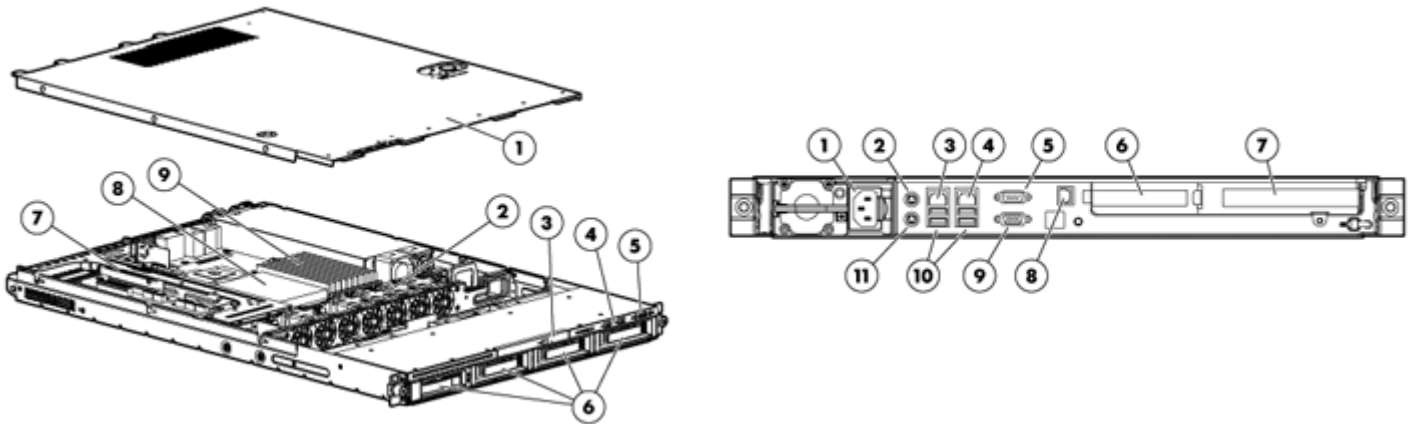


Overview

The HP ProLiant DL320 G6 Server is an enterprise rack-optimized server at an entry level price. The highly manageable 1 processor, 1U server is ideal for single-application IT infrastructure, web and edge-of-network applications.

The HP infrastructure management capabilities, combined with other Insight software, give the DL320 G6 enterprise-class management features. Support for 1 to 4 low-cost Serial ATA drives on an integrated RAID0/1/10 controller, with an optional upgrade to highly reliable hot plug SAS hard drives, gives the DL320 G6 flexibility to meet the needs of your datacenter. Plus, you get the cost-effective solution of a single-processor platform with options from the Intel® Xeon® Processor 5500 and 5600 sequences with turbo mode.



Front View:

1. Cover
2. Non Hot Plug Dual Rotor Fans
3. Optional Slim 9.5mm DVD ROM
4. USB connectors (2)
5. Power Button, UID button, and Front LED Indicators
6. Support for up to four SATA or SAS Hard Drives or SSD's
7. Two PCI-Express Slots (2 PCI-Express 2.0 x16 connectors standard)
8. Processor Socket (Intel Xeon, Core 2, Quad Core, and Six Core)
9. Nine DDR3 Memory Slots

Rear View:

1. Power supply
2. Mouse connector
3. NIC 1 Port/Shared iLO 2 Management Port
4. NIC 2 Port
5. Serial connector
6. PCI Express expansion slot 5, low-profile, half-length
7. PCI Express expansion slot 4, (optional PCI-X, full-length)
8. Dedicated Integrated Lights-Out 2 (ProLiant Onboard Administrator powered by integrated Lights-Out 2) management port (optional)
9. Video connector
10. USB connectors (4)
11. Keyboard connector

What's New

- Support for new HP hard drive

Standard Features

NOTE: For the Standard Features shipped in the "Factory Integrated Models", please see the "Configuration Information - Factory Integrated Models" section.

Processor

One of the following depending on Model

Six-Core Processors

Intel® Xeon® X5650 (2.66GHz/6-core/12MB/95W, DDR3-1333, HT, Turbo 2/2/2/2/3/3) Processor

Intel® Xeon® E5649 (2.53GHz/6-core/12MB/80W) Processor

Intel® Xeon® E5645 (2.40GHz/6-core/12MB/80W) Processor

Quad-Core Processors

Intel® Xeon® E5607 (2.26GHz/4-core/8MB/80W) Processor

Intel® Xeon® E5606 (2.13GHz/4-core/8MB/80W) Processor

Intel® Xeon® E5603 (1.60GHz/4-core/4MB/80W) Processor

Intel® Xeon® E5506 (2.13GHz/4-core/4MB/80W, DDR3-800) Processor

Intel® Xeon® E5530 (2.40GHz/4-core/8MB/80W, DDR3 1066, HT, Turbo 1/1/2/2) Processor

Intel® Xeon® E5620 (2.40GHz/4-core/12MB/80W, DDR3-1066, HT, Turbo 1/1/2/2) Processor

Intel® Xeon® E5630 (2.53GHz/4-core/12MB/80W, DDR3-1066, HT, Turbo 1/1/2/2) Processor

Intel® Xeon® E5640 (2.66GHz/4-core/12MB/80W, DDR3-1066, HT, Turbo 1/1/2/2) Processor

Intel® Xeon® L5506 (2.13GHz/4-core/4MB/60W, DDR3-800) Processor

Intel® Xeon® L5609 (1.86GHz/4-core/12MB/40W, DDR3-1066) Processor

Intel® Xeon® L5630 (2.13GHz/4-core/12MB/40W, DDR3-1066, HT, Turbo 1/1/2/2) Processor

Dual-Core Processors

Intel® Xeon® E5502 (1.86GHz/2-core/4MB/80W, DDR3-800) Processor

Intel® Xeon® E5503 (2.00GHz/2-core/4MB/80W, DDR3-800) Processor

NOTE: HT indicates that the processor model supports Intel® Hyper-Threading Technology.

NOTE: Turbo indicates the maximum potential frequency increment when using Intel® Turbo Boost Technology, with 6, 4, 3, 2, and 1 cores active.

NOTE: DDR3 speed is the maximum memory speed of the processor. Actual memory speed may depend on the quantity and type of DIMMs installed.

NOTE: For the Intel 5500 and 5600 Series, the letter preceding the model number indicates the performance/wattage of the processor. ; "E" denotes Enterprise Performance/Wattage (Mainstream); and "L" denotes Lower Wattage.

Cache Memory

One of the following depending on Model

4MB (1 x 4MB) Level 3 Cache

8MB (1 x 8MB) Level 3 Cache

12MB (1 x 12MB) Level 3 Cache

Chipset

Intel 5500 Chipset with up to 6.4GT/s QPI

NOTE: For more information regarding Intel chipsets, please see the following URL: <http://www.intel.com/products/server/chipsets/>.

Standard Features

Memory Protection	Advanced ECC Mirroring mode Lock-step mode Online spare
--------------------------	--

NOTE: Xeon W3500 processor family does not support any of above advanced features.
NOTE: Online spare is only supported on Xeon 5600 processor series.

Memory One of the following depending on Model	Type	DDR3 1067/1333 Registered (RDIMM) and Unbuffered (UDIMM)
	Standard (Entry Models)	4 GB (2 x 2 GB) RDIMM
	Standard (High Efficiency Models)	4 GB (2 x 2 GB) UDIMM
	Standard (Performance Models)	6 GB (3 x 2 GB) RDIMM
	Maximum Memory	Up to 144 GB, using DDR3 Registered (RDIMM) memory, operating at 800MHz when fully populated at 3 DIMMs per Channel in 9 Slots. Up to 24 GB, using DDR3 Unbuffered (UDIMM) memory, operating at 1066MHz when fully populated at 2 DIMMs per Channel in 6 slots.

Network Controller	Embedded NC326i Dual Port Gigabit Server Adapter
---------------------------	--

Expansion Slots

NOTE: Two total slots. (1) Full length PCI Express x16 slot (x16 connector). Can be replaced with a full-length 64-bit /133MHz PCI-X slot. (1) Half-length, low-profile PCI Express x4 slot (x16 connector).

Expansion Slots #	Technology	Bus Width**	Connector Width	Bus Number*	Form Factor	Notes
5 (Standard)	PCIe	x4	x16	10	Low profile (half length, half height) slot	
4 (Standard)	PCIe	x16	x16	21	Full length, full height slot	This PCIe slot can be replaced with optional PCI-X slot below
4 (Optional)	PCI-X (133MHz, 3.3Volt)	64-bit	Not applicable	24	Full length, full height slot	

* Default bus assignment (in decimal). Inserting cards with PCI bridges may alter the actual bus assignment number

** Indicates the number of physical electrical lanes running to the connector.

Standard Features

Storage Controllers

One of the following depending on Model

Entry Models	HP Smart Array B110i SATA RAID Controller (RAID 0/1/1+0) NOTE: Transfer rate: 3Gb/s SATA NOTE: SATA Hot Plug available via Hot Plug Advance Pack for B110i NOTE: Hot Plug SAS and SATA controllers available via PCI card option.
High Efficiency Models	HP Smart Array B110i SATA RAID Controller (RAID 0/1/1+0) NOTE: Transfer rate: 3Gb/s SATA NOTE: SATA Hot Plug available via Hot Plug Advance Pack for B110i NOTE: Hot Plug SAS and SATA controllers available via PCI card option.
Performance Models	HP Smart Array P410/256MB Controller (RAID 0/1/1+0/5/5+0) NOTE: Available upgrades: Battery Kit upgrade (for BBWC), 512MB with BBWC, Flash Backed Write Cache (FBWC), and Smart Array Advanced Pack (SAAP)

Internal Storage Devices

Diskette Drive	None
Optical Drive	None ship standard Optional: Optional DVD or DVD-RW drive
Hard Drives	None ship standard
Hard Drive Bays	Standard four 3.5" (Large Form Factor) hot-plug SATA or SAS hard drive bays; optional eight 2.5" (Small Form Factor) hot-plug SATA, SAS or SSD hard drive bays

Maximum Internal Storage

LFF SATA (4HDD models - requires optional 4HDD cage)	12TB	4 x 3TB
LFF SAS (4HDD models - requires optional PCI controller)	12TB	4 x 3TB
SFF SATA, SAS, (8HDD models - requires option PCI controller)	8TB	8 x 1TB
LFF SATA SSD	3.2TB	8 x 400GB
SFF SATA SSD	3.2TB	8 x 400GB

Interfaces

Serial	1
Video	1
Network RJ-45	2
Keyboard	1
Pointing Device (Mouse)	1
SD Slot	1
USB 2.0	7 (2 front, 1 internal (optional), 4 rear) NOTE: In order to connect a USB device internally, the internal USB Cable G6 Kit must be used (536769-B21).

Standard Features

Industry Standard Compliance	ACPI 2.0 Compliant
	PCI 3.0 Compliant
	PXE Support
	WOL Support
	Microsoft® Logo certifications
	USB 2.0 Support
	IPMI 2.0

Server Power Cords	North America	One 6' Highline (IEC-IEC) power cord ships standard
	Japan	One 6' Highline (IEC) power cord and one 6' Lowline power cord ship standard
	ROW	One 6' Highline (IEC) power cord ships standard

NOTE: HP ProLiant DL320 G6 servers ship standard worldwide with a C13 to C14 2M Highline jumper cord. Japanese models also include a 2M Lowline power cord. If customers require a local power cord, they can check the power cord matrix for the appropriate country specific cord. Please see the following power cord matrix: <http://www.hp.com/go/powercordmatrix>

Power Supplies	Entry Models	HP 400W Factory Integrated Power Supply, non-redundant
	High Efficiency Models	HP 500W Factory Integrated Power Supply Kit with Backplane, non-redundant
	Performance Models	HP 365W Hot Plug Redundant Power Supply Kit with Backplane, redundant

System Fans	5 dual rotor fans ship standard
--------------------	---------------------------------

Required Cabling	For required cabling information, refer to the Web site at: www.hp.com/servers/proliantdl320-g6 .
-------------------------	--

Operating Systems and Virtualization Software Support for ProLiant Servers	Microsoft Windows Server
	Red Hat Enterprise Linux (RHEL)
	SUSE Linux Enterprise Server (SLES)
	Oracle Solaris
	NOTE: Support differences will exist between the SATA and SAS configurations. NOTE: For more information on HP's Certified and Supported ProLiant Servers for OS and Virtualization Software and latest listing of software drivers available for your server including how to purchase from HP, please visit our OS Support Site at: www.hp.com/go/ossupport

Graphics	Integrated ATI ES1000, 64 MB video standard
	<ul style="list-style-type: none">• 16 bit color: maximum resolution of 1600 x 1200• 32 bit color: maximum resolution of 1280 x 1024
	NOTE: Maximum resolution available via iLO 2 remote console is 1280 x 1024.

Standard Features

Form Factor Rack (1U), (1.70 in/4.32 cm), 26.85" deep

HP Insight management software HP Service Pack for ProLiant

HP Service Pack for ProLiant (SPP) and HP Smart Update Manager (HP SUM) version 5 provide a new, comprehensive approach to firmware and system software maintenance. Together they provide better operating stability and ensure maximum uptime. The SPP will be updated at a predictable cadence, typically coinciding with new HP server hardware launches. By enabling firmware to be updated online and integrating firmware and system software updates in one operation HP SUM and the SPP offer faster updates of individual servers and dramatically faster updates of entire BladeSystem enclosures. Further improving system uptime and stability is the fact that HP provides 12 months of support on each Service Pack for ProLiant.

The user experience around HP SUM and the SPP has been improved in several ways, starting with the web download. A single web page provides access to a single download containing both the latest version of HP SUM version 5 and the latest SPP. Optional smaller subsets with only specific types of servers or specific operating systems are offered to save on download time. The HP SUM application has been re-written to provide a more straightforward, intuitive user interface that guides the user through the steps of discovery, analyses and update, providing comprehensive information on available updates, criticality and interdependencies. This information is also available in reports. By providing the option of multiple local or shared repositories which can be easily updated from hp.com, HP SUM provides the tools to optimize stability and consistency throughout the company. While HP SUM and the SPP will recommend the combinations of firmware and system software that HP has found to be the best practice, the application gives customers the flexibility to set their own specific baseline.

The Service Pack for ProLiant has been rigorously tested with specific attention for interaction between firmware, drivers and agents both within the server as well as in interaction with the BladeSystem enclosure components (Onboard Administrator and Virtual Connect). This testing ensures the highest quality as well as providing the input for HP SUM to deploy updates taking into account all interdependencies, when determining the correct updates and order of update deployment.

The Service Pack for ProLiant (which includes HP SUM 5) can be downloaded from: www.hp.com/go/spp/download. More information can be found: <http://www.hp.com/go/spp> and <http://www.hp.com/go/hpsum>

HP Insight Foundation

Insight Foundation is being baselined at version v8.70 which means the following:

- Its Media Kit (contains 2 SmartStart CDs, the Firmware DVD, and the Management DVD) will continue to ship with all supported ProLiant G7 or earlier BTO servers until the last supported server is no longer shipping.
- The Media Kit will not be updated past version 8.70.
- ProLiant G7 or earlier CTO servers are able to order the Media Kit with the understanding that the media is not updated. Please check specific

Standard Features

- server QuickSpecs for availability of CTO Kit.
- PSP and Firmware DVD downloads will be updated through 2Q 2012 at the HP Insight Foundation Suite for ProLiant downloads tab:
<http://www.hp.com/go/foundation>

Customers are urged to use the replacement product, HP Service Pack for ProLiant, instead of Insight Foundation Suite which is found at these location:
www.hp.com/go/spp
www.hp.com/go/spp/download

HP Integrated Lights-Out (iLO) for ProLiant

HP Integrated Lights-Out (iLO) simplifies server setup, health monitoring, power and thermal control, and lights-out remote administration of ProLiant ML, DL, and BL servers. HP iLO functions without additional software and can be accessed from any location via a web browser. HP iLO works hand-in-hand with HP Systems Insight Manager, Insight Control suites, and Insight Dynamics for ProLiant, helping customers unleash the value of the ProLiant platform and deliver the highest possible quality of IT service. For more information, visit: www.hp.com/go/iLO

Intelligent Manageability

Automatic Server Recovery (ASR)
iLO 2 Advanced Pack (optional)
HP Systems Insight Manager
Integrated Management Log
Drive Parameter Tracking (with Smart Array Controllers)
Dynamic Sector Repairing (with Smart Array Controllers)
Pre-Failure Warranty (covers processors, SAS hard drives, and memory)
BIOS Serial Console
Front and Rear Unit ID (UID) button/LED

HP Insight Online

HP Insight Online is a new capability available through the HP Support Center portal for one stop, secure access to product and HP support information specific to your IT environment. Insight Online can automatically display devices remotely monitored by HP Insight Remote Support. With Insight Online's easy navigation you can efficiently track your IT support contracts and device status from anywhere and at anytime. www.hp.com/go/insightonline

Security

Power-on password
USB Port control
Removable optical drive assembly (optional)
Removable DVD-ROM Drive Assembly (optional)
Dedicated iLO2 port (optional)
Serial interface control
Administrator's password

Standard Features

Warranty

This product is covered by a global limited warranty and supported by HP Services and a worldwide network of HP Authorized Channel Partners. Hardware diagnostic support and parts repair is available for three years Next Business Day, with three year on-site support from date of purchase. Support for software and initial setup is available for 90 days from date of purchase. Expanded support may be covered under the warranty or available for an additional fee. Enhancements to warranty services are available through HP Care Pack services or customized service agreements. Hard drives have either a one year or three year warranty; refer to the specific hard drive QuickSpecs for details.

NOTE: Server Warranty includes three year parts, three year labor, and three year on-site support with next business day response. Warranty repairs may be accomplished through the use of Customer Self Repair (CSR) parts. These parts fall into two categories: 1) Mandatory CSR parts are designed for easy replacement. A travel and labor charge will result when customers decline to replace a Mandatory CSR part; 2) Optional CSR parts are also designed for easy replacement but may involve added complexity. Customers may choose to have HP replace Optional CSR parts at no charge. Additional information regarding worldwide limited warranty and technical support is available at: <http://h18004.www1.hp.com/products/servers/platforms/warranty/index.html>

Optional Features

HP Insight management software

HP Insight Control

HP Insight Control, a product option, delivers essential infrastructure management that can help save time and money by making it easy to deploy, migrate, monitor, remote control, and optimize your IT infrastructure through a single, simple management console. For more information, see <http://www.hp.com/go/insightcontrol>.

HP Insight Control includes one year of 24 x 7 HP Software Technical Support and Update Service ensuring rapid access to HP support staff and proactive delivery of software updates. For more information about this service, see: <http://www.hp.com/services/insight>.

HP Insight Dynamics for ProLiant

HP Insight Dynamics for ProLiant, a product option, is an integrated command center that enables IT Staff personnel to continuously analyze and optimize a converged infrastructure, while automating and reducing the cost of common data center tasks by as much as 40 percent. As a powerfully integrated by design toolkit to accelerate complex technology projects and simplify daily operations that ultimately enable IT Staff personnel to dynamically keep pace with the organizations changing business requirements. It enables them to plan capacity and power continuously, balance across physical and virtual resources, and ensure cost-effective high availability. It also enables IT organizations to provision infrastructure consistently and automatically from pools of shared resources using a self-service portal. Resources provisioned can range from a single virtual machine to complex multi-tier environments and their associated physical and virtual resource requirements. In addition to the previous functional benefits, it also provides a cost-effective disaster recovery for physical and virtual environments that works with HP Continuous Access software for both the Enterprise Virtual Array and the XP storage array allowing application environments to be reactivated in minutes with the touch of a button to a remote location.

NOTE: For more information, visit:

<http://www.hp.com/go/insightdynamics>

High Performance Clusters

HP Cluster Platforms

HP Cluster Platforms are specifically engineered, factory-integrated large-scale ProLiant clusters optimized for High Performance Computing, with a choice of servers, networks and software. Operating system options include specially priced offerings for Red Hat Enterprise Linux and SUSE Linux Enterprise Server, as well as Microsoft Windows HPC Server. A Cluster Platform Configurator simplifies ordering. <http://www.hp.com/go/clusters>

HP HPC Interconnects

High Performance Computing (HPC) interconnect technologies are available for this server as part of the HP Cluster Platform portfolio. These high-speed InfiniBand and Gigabit interconnects are fully supported by HP when integrated within an HP cluster. Flexible, validated solutions can be defined with the help of configuration tools. <http://www.hp.com/techservers/clusters/ucp/index.html>

Optional Features

HP Cluster Management Utility	HP Cluster Management Utility (CMU) is an HP-licensed and HP-supported suite of tools that are used to manage large-scale Linux ProLiant systems. CMU includes software for the centralized provisioning, management and monitoring of nodes. CMU makes the administration of clusters user friendly, efficient, and effective. http://www.hp.com/go/cmu
HP HPC Linux Value Pack	HP HPC Linux Value Pack (Value Pack) is an HP-licensed and HP-supported specially priced software bundle for the development and deployment of applications on HPC Cluster Platforms. Value Pack includes the Platform HPC Enterprise Edition suite of tools including the LSF workload scheduler, the HP-MPI parallelization library. Also included are the HP Unified Parallel C compiler and the HP Shmem library, as well as the execution environments for the libraries and compiler. HP HPC Linux Value Pack

HP Proactive Insight experience

Prevent problems with innovative, automated monitoring tools and proactive services. The HP Proactive Insight experience consist of using Insight Online, Insight Remote Support, and Proactive Care Support Service as one integrated solution. The Proactive Insight experience provides you with expert advice and personalized, cloud-based automated IT support, helping to prevent unplanned down time and solve problems quickly. For more information, visit: www.hp.com/go/proactiveinsightexperience

HP Factory Express Capabilities

HP Factory Express offers configuration, customization, integration and deployment services for HP servers and storage products. Customers can choose how their factory solutions are built, tested, integrated, shipped and deployed.

Factory Express offers service packages for simple configuration, racking, installation, complex configuration and design services as well as individual factory services, such as image loading, asset tagging, and custom packaging. HP products supported through Factory Express include a wide array of servers and storage: HP Integrity, HP ProLiant, HP ProLiant Server Blades, HP BladeSystem, HP 9000 servers as well as the MSAxxxx, VA7xxx, EVA, XP, rackable tape libraries and configurable network switches.

For more information on Factory Express services for your specific server model please contact your sales representative or go to: <http://www.hp.com/go/factory-express>.

HP Simple Configurator

SCE is a guided self service tool to help sales and non technical people provide customers with initial configurations in 3 to 5 minutes. You may then send the configuration on for configuration help, or use in your existing ordering processes. If you require "custom" rack configuration or configuration for products not available in SCE, please contact HP's Customer Business Center or an Authorized Partner for assistance. <http://www.hp.com/products/configurator>

Service and Support

Service and Support

HP Technology Services for Industry Standard Servers and BladeSystem

Capitalizing on HP ProLiant server and HP BladeSystem capabilities requires a service partner who understands your increasingly complex business technology environment. That's why it makes sense to team up with the people who know HP infrastructure hardware and software best - the experienced professionals at HP Services.

What HP ProLiant and BladeSystem Services can do for you

HP ProLiant and BladeSystem Services can help you design, deploy, test, integrate, support, and manage IT and infrastructure solutions. This way, HP proposes services solutions that include more than just uplift of base warranty. You can get the support you need by choosing from one of a number of service packaged solutions we have designed to address wider set of customer support needs:

HP Technology Services meets business challenges with services offered in three packages - **Optimized Care Package, Standard Care Package, and Basic Care Package** - available for each product group. Such packaged solutions enable customers to optimize technology operations, minimize risk and drive better business outcomes with easy-to-buy, easy-to-use scalable support packages for servers, storage, networking and software.

Optimized Care

Optimized Care Package: Supports maintaining servers at optimum performance availability

HP ProLiant Server Hardware Installation

Provides for the basic hardware installation of HP branded servers, storage devices and networking options to assist you in bringing your new hardware into operation in a timely and professional manner <http://h20195.www2.hp.com/V2/GetPDF.aspx/5981-9356EN>

HP Installation and Startup for Insight Control Software

Provides for the deployment and basic configuration of HP Insight Control on HP ProLiant ML and DL series servers or HP BladeSystem servers <http://h20195.www2.hp.com/v2/GetPDF.aspx/4AA0-9972ENW.pdf>

3-Year HP Critical Advantage

Provides end-to-end infrastructure support solution for business critical applications running on virtualized/x86 infrastructures, enabling the customers to cost effectively build, operate, and continuously improve their IT environment <http://h20195.www2.hp.com/V2/GetDocument.aspx?docname=4AA3-1772ENW>

Additional Services: Microsoft or Linux or VMware education courses + Facility & technology environmental assessment services + Energy Efficiency Design, Factory Express

Service and Support

Standard Care

Standard Care Package: Package that maintains high level of server availability

HP ProLiant Server Hardware Installation

Provides for the basic hardware installation of HP branded servers, storage devices and networking options to assist you in bringing your new hardware into operation in a timely and professional manner
<http://h20195.www2.hp.com/V2/GetPDF.aspx/5981-9356EN>

HP Installation and Startup for Insight Control Software

Provides for the deployment and basic configuration of HP Insight Control on HP ProLiant ML and DL series servers or HP BladeSystem servers
<http://h20195.www2.hp.com/v2/GetPDF.aspx/4AA0-9972ENW.pdf>

3-Year HP 6 hour Hardware Support Onsite Call-to-Repair Service

Provides an IT manager with a team of support specialists who will quickly begin troubleshooting the system to help return the hardware to operating condition within 6 hours of the initial service request to the HP Global Solution Center
<http://h20195.www2.hp.com/V2/GetPDF.aspx/5982-6547EN.pdf>

3-Year , HP 24x7 Software Support for Insight Control

Provides for the deployment and basic configuration of HP Insight Control on HP ProLiant ML and DL series servers or HP BladeSystem servers
<http://h20195.www2.hp.com/V2/GetPDF.aspx/5981-6645EEE.pdf>

Additional Services: Software OS (Microsoft, Linux (SUSE/Red Hat) & VMware Installation & Start Up, and Software Support; Install and Startup Services for Insight Control; Microsoft or Linux or VMware education courses; +30 Proactive Select Credits, Factory Express

Basic Care

Basic Care Package: delivers minimum recommended support service level

HP ProLiant Server Hardware Installation

Provides for the basic hardware installation of HP branded servers, storage devices and networking options to assist you in bringing your new hardware into operation in a timely and professional manner
<http://h20195.www2.hp.com/V2/GetPDF.aspx/5981-9356EN>

3-Year HP 24x7 4 hour Response, Hardware Support Onsite Service

Provides for the deployment and basic configuration of HP Insight Control on HP ProLiant ML and DL series servers or HP BladeSystem servers
<http://h20195.www2.hp.com/v2/GetPDF.aspx/4AA0-9972ENW.pdf>

Additional Services: Software OS (Microsoft, Linux (SUSE/Red Hat) & VMware Installation & Start Up and Software Support); +10 Proactive Select Credits, Factory Express

Insight Remote Support

The packages include HP Insight Remote Support that uses proven technology to deliver secure, reliable 24x7 remote monitoring, diagnoses, and problem resolution. It is available at no additional cost to all warranty, HP Care Pack Service, and service agreement customers.

Service and Support

For more information

To learn more on HP ProLiant servers and HP BladeSystem servers, please contact your HP sales representative or HP Authorized Channel Partner. Or visit: <http://www.hp.com/services/proliant>

Pre-configured Models

NOTE: For the Standard Features shipped in the "Factory Integrated Models", please see the "Configuration Information - Factory Integrated Models" section.

NOTE: Pre-configured models ship with the configurations below. Options can be selected from the Core or Additional options section of this QuickSpecs.

NOTE: HP does not allow factory integration of options into pre-configured models. Any additional options purchased will be shipped separately.

NOTE: If you desire a custom configuration please see "Configuration Information - Factory Integrated Models" section of this QuickSpecs.

Entry Models

<p>HP ProLiant DL320 G6 E5603 1P 4GB-R B110i SATA RAID 400W PS Server 638328-001</p>	<p>Processor(s) (1) Intel® Xeon® E5603 (1.60GHz/4-core/4MB/80W) Processor</p> <p>Cache Memory 4MB L3 Cache</p> <p>Memory 4 GB (2 x 2 GB) DDR3 RDIMM NOTE: 9 DIMM slots.</p> <p>Network Controller Embedded NC326i Dual Port Gigabit Server Adapter</p> <p>Storage Controller HP Smart Array B110i SATA RAID Controller (RAID 0/1/0+1)</p> <p>Hard Drives None ship standard</p> <p>Internal Storage Up to 4 x 2TB 3.5" Hot plug SATA/SAS, Maximum NOTE: SATA Hot Plug requires Hot Plug Advance Pack for B110i NOTE: SAS requires optional PCI Controller</p> <p>Optical Drive Optional</p> <p>Power Supply HP 400W Factory Integrated Power Supply Kit</p> <p>Fans 5 dual rotor fans ship standard</p> <p>Form Factor Rack (1U), (1.70 in/4.32 cm)</p> <p>Warranty Server Warranty includes three year parts, three year labor, and three year on-site support with next business day response.</p>
---	---

<p>HP ProLiant DL320 G6 E5503 2.0GHz 2-core 1P 4GB-R B110i Hot Plug SATA 4 LFF 400W PS Server 593493-001</p>	<p>Processor(s) (1) Intel® Xeon® E5503 (2.00GHz/2-core/4MB/80W, DDR3-800) Processor</p> <p>Cache Memory 4MB L3 Cache</p> <p>Memory 4GB (2x2 GB) DDR3 RDIMM NOTE: 9 DIMM slots.</p> <p>Network Controller Embedded NC326i Dual Port Gigabit Server Adapter</p> <p>Storage Controller HP Smart Array B110i SATA RAID Controller (RAID 0/1/0+1)</p> <p>Hard Drives None ship standard</p> <p>Internal Storage Up to 4 x 2TB 3.5" Hot plug SATA/SAS, Maximum NOTE: SATA Hot Plug requires via Hot Plug Advance Pack for B110i NOTE: SAS requires optional PCI Controller</p> <p>Optical Drive Optional</p> <p>Power Supply HP 400W Factory Integrated Power Supply Kit</p> <p>Fans 5 dual rotor fans ship standard</p> <p>Form Factor Rack (1U), (1.70 in/4.32 cm)</p>
---	--

Pre-configured Models

Warranty	Server Warranty includes three year parts, three year labor, and three year on-site support with next business day response.
-----------------	--

High Efficiency Models

HP ProLiant DL320 G6 L5609 1P 4GB-U B110i 4 LFF 500W PS High Efficiency Server 593498-001	<p>Processor(s) (1) Intel® Xeon® L5609 (1.86GHz/4-core/12MB/40W, DDR3-1066) Processor</p> <p>Cache Memory 12MB L3 Cache</p> <p>Memory 4 GB (2 x 2 GB) DDR3 UDIMM NOTE: 9 DIMM slots.</p> <p>Network Controller Embedded NC326i Dual Port Gigabit Server Adapter</p> <p>Storage Controller HP Smart Array B110i SATA RAID Controller (RAID 0/1/0+1)</p> <p>Hard Drives None ship standard</p> <p>Internal Storage Up to 4 x 2TB 3.5" Hot plug SATA/SAS, Maximum NOTE: SATA Hot Plug requires Hot Plug Advance Pack for B110i NOTE: SAS requires optional PCI Controller</p> <p>Optical Drive Optional</p> <p>Power Supply HP 500W Factory Integrated Power Supply Kit with Backplane</p> <p>Fans 5 dual rotor fans ship standard</p> <p>Form Factor Rack (1U), (1.70 in/4.32 cm)</p> <p>Warranty Server Warranty includes three year parts, three year labor, and three year on-site support with next business day response.</p>
---	---

Performance Models

HP ProLiant DL320 G6 E5630 2.53GHz 4-core 1P 6GB-R P410/256 Hot Plug SAS 4 LFF 400W RPS Server 593499-001	<p>Processor(s) (1) Intel® Xeon® E5630 (2.53GHz/4-core/12MB/80W, DDR3-1066, HT, Turbo 1/1/2/2) Processor</p> <p>Cache Memory 12MB L3 Cache</p> <p>Memory 6 GB (3 x 2 GB) DDR3 RDIMM NOTE: 9 DIMM slots.</p> <p>Network Controller Embedded NC326i Dual Port Gigabit Server Adapter</p> <p>Storage Controller HP Smart Array P410/256MB Controller</p> <p>Hard Drives None Ship standard</p> <p>Internal Storage 4 x 2TB 3.5" Hot plug SATA/SAS, Maximum</p> <p>Optical Drive Optional</p> <p>Power Supply HP 365W Hot Plug Redundant Power Supply Kit with Backplane</p> <p>Fans 5 dual rotor fans ship standard</p> <p>Form Factor Rack (1U), (1.70 in/4.32 cm)</p> <p>Warranty Server Warranty includes three year parts, three year labor, and three year on-site support with next business day response.</p>
---	--

Smart Buys

HP ProLiant Smart Buy DL320G6 E5504 3GB LFF US Svr 470065-235	Processors Memory Network Controller Storage Controller Hard Drives Optical Drive Power Supply Fans Form Factor	Intel® Xeon® Processor E5504 (2.00 GHz, 4MB L3 Cache, 80W, DDR3-800) 3GB UDIMM (3x1GB HP 1Rx8 PC3-10600E-9) Embedded NC326i Dual Port Gigabit Server Adapter HP Smart Array B110i SATA RAID Controller (RAID 0/1/1+0) None included up to 4 LFF None included (1) 500-Watt PFC Power Supply, CE Mark Compliant 5 dual rotor fans ship standard Rack (1U), (1.70 in/4.32 cm)
HP ProLiant Smart Buy DL320G6 E5520, 6G US Svr 470065-257	Processors Memory Network Controller Storage Controller Hard Drives Optical Drive Power Supply Fans Form Factor	Intel® Xeon® Processor E5520 (2.26 GHz, 8MB L3 Cache, 80W, DDR3-1066, HT, Turbo 1/1/2/2) 6GB UDIMMS (3 x 2GB 2Rx8 PC3-10600E-9) Embedded NC326i Dual Port Gigabit Server Adapter HP Smart Array P410/256 MB BBWC None included, up to 8 SFF HP 9.5mm SATA DVD-ROM Optical Drive (2) 400W Redundant Hot Plug Power Supply 5 dual rotor fans ship standard Rack (1U), (1.70 in/4.32 cm)
S-Buy DL320G6 E5620, 6G US Svr 643412-S01	Processors Memory Network Controller Storage Controller Hard Drives Optical Drive Power Supply Fans Form Factor	Intel® Xeon® Processor E5620 (2.40 GHz, 12MB L3 Cache, 80W, DDR3-1066, HT, Turbo 1/1/2/2) 6GB RDIMMS (3 x 2GB 2Rx8 PC3-10600R-9) Embedded NC326i Dual Port Gigabit Server Adapter HP Smart Array P410/256 MB None included, up to 4 LFF HP 9.5mm SATA DVD-ROM Optical Drive HP 365W Redundant Power Supply Kit with Backplane 5 dual rotor fans ship standard Rack (1U), (1.70 in/4.32 cm)
S-Buy DL320G6 E5606 4GB-R LFF Hot Plug 654079-S01	Processors Memory Network Controller Storage Controller Hard Drives Optical Drive	HP DL320 G6 Intel® Xeon® E5606 (2.13GHz/4-core/8MB/80W) 4 GB RDIMM (1x4GB HP 1Rx4 PC3-10600R-9) Embedded NC326i Dual Port Gigabit Server Adapter HP Smart Array B110i SATA RAID Controller (RAID 0/1/1+0) None included up to 4 LFF HP 9.5mm SATA DVD-ROM Optical Drive

Smart Buys

Power Supply	HP 365W Redundant Power Supply Kit with Backplane
Fans	5 dual rotor fans ship standard
Form Factor	Rack (1U), (1.70 in/4.32 cm)

Configuration Information - Factory Integrated Models

NOTE: This section lists some of the steps required to configure a Factory Integrated Model. To ensure only valid configurations are ordered, HP recommends the use of an HP approved configurator. Contact your local sales representative for information on configurable product offerings and requirements.

NOTE: Configure-to-order (CTO) servers must start with a CTO Chassis.

NOTE: FIO indicates that this option is only available as a factory installable option.

Step 1: Base Configuration (choose one of the following configurable models)

HP Models	HP ProLiant DL320 G6 Configure-to-order Rack Server	505768-B21
	Includes:	
	Embedded NC326i Dual Port Gigabit Server Adapter	
	1 full length PCI Express x16 slot and 1 half length low profile PCI Express x4 slot	
	Integrated Lights-Out 2 (ProLiant Onboard Administrator powered by Integrated Lights-Out 2) embedded (shared NIC functionality standard)	
	HP Smart Array B110i SATA RAID Controller (RAID 0/1/0+1)	
	Rack (1U) form factor, (1.70 in/4.32 cm)	
	Fixed, mounting rails	

Step 2: Choose Required Options (only one of the following from each list unless otherwise noted)

HP Processors	Six-Core Processors	
	HP DL320 G6 Intel® Xeon® X5650 (2.66GHz/6-core/12MB/95W) FIO Processor Kit	600743-L21
	HP DL320 G6 Intel® Xeon® E5649 (2.53GHz/6-core/12MB/80W) FIO Processor Kit	638648-L21
	HP DL320 G6 Intel® Xeon® E5645 (2.40GHz/6-core/12MB/80W) FIO Processor Kit	638647-L21
	Quad-Core Processors	
	HP DL320 G6 Intel® Xeon® E5607 (2.26GHz/4-core/8MB/80W) FIO Processor Kit	638646-L21
	HP DL320 G6 Intel® Xeon® E5606 (2.13GHz/4-core/8MB/80W) FIO Processor Kit	638645-L21
	HP DL320 G6 Intel® Xeon® E5603 (1.60GHz/4-core/4MB/80W) FIO Processor Kit	638644-L21
	HP DL320 G6 Intel® Xeon® E5620 (2.40GHz/4-core/12MB/80W) FIO Processor Kit	600739-L21
	HP DL320 G6 Intel® Xeon® E5630 (2.53GHz/4-core/12MB/80W) FIO Processor Kit	600740-L21
	HP DL320 G6 Intel® Xeon® L5609 (1.86GHz/4-core/12MB/40W) FIO Processor Kit	600741-L21
	HP DL320 G6 Intel® Xeon® L5630 (2.13GHz/4-core/12MB/40W) FIO Processor Kit	600742-L21
	NOTE: Xeon E5500 DP family supports both Registered DIMMs and Unbuffered DIMMs. Xeon W3500 UP family supports only Unbuffered DIMMs.	
HP Drive Cage Options	HP 8 SFF G6 FIO Hard Drive Cage with Backplane	515938-B21
	NOTE: This cage requires the P410 SAS array controller as a Primary Controller (See Step 3 below if P/N 515938-B21 is selected).	
	HP 4 Hard Drive Hot Plug Backplane G6 Kit	512181-B21
	NOTE: This is a LFF Backplane kit.	
	NOTE: SATA Hot Plug requires Hot Plug Advance Pack for B110i.	
	NOTE: SAS requires optional PCI Controller.	
HP Power Supplies	HP 500W Factory Integrated Power Supply Kit with Backplane	537150-B21

Configuration Information - Factory Integrated Models

HP 460W Common Slot Gold Hot Plug Power Supply Kit 503296-B21

NOTE: To use the HP 460W Common Slot Gold Hot Plug Power Supply with this server, you will need to purchase the 460W Power Supply FIO Enablement Kit (PN 515740-B21).

HP 400W Factory Integrated Power Supply Kit 515739-B21

HP 365W Redundant Power Supply Kit w/ Backplane 532092-B21

Power Options

HP DL320 G6 460W Power Supply Unit FIO Enablement Kit 515740-B21

NOTE: Required to purchase if you choose to use the HP 460W Common Slot Gold Hot Plug Power Supply with this server.

HP Memory

Registered DIMMs (RDIMMs)

HP 2GB (1x2GB) Dual Rank x8 PC3-10600 (DDR3-1333) Registered CAS-9 Memory Kit 500656-B21

HP 4GB (1x4GB) Dual Rank x4 PC3-10600 (DDR3-1333) Registered CAS-9 Memory Kit 500658-B21

HP 4GB (1x4GB) Single Rank x4 PC3-10600 (DDR3-1333) Registered CAS-9 Memory Kit 593339-B21

HP 4GB (1x4GB) Single Rank x4 PC3L-10600 (DDR3-1333) Registered CAS-9 Low Power Memory Kit 604504-B21

NOTE: Low Voltage DIMMs can only be used with Intel® Xeon® processor 5600 series processors.

HP 8GB (1x8GB) Dual Rank x4 PC3-10600 (DDR3-1333) Registered CAS-9 Memory Kit 500662-B21

HP 8GB (1x8GB) Dual Rank x4 PC3L-10600 (DDR3-1333) Registered CAS-9 Low Power Memory Kit 604506-B21

NOTE: Low Voltage DIMMs can only be used with Intel® Xeon® processor 5600 series processors.

HP 16GB (1x16GB) Quad Rank x4 PC3-8500 (DDR3-1066) Registered CAS-7 Memory Kit 500666-B21

HP 16GB (1x16GB) Dual Rank x4 PC3L-10600 (DDR3-1333) Registered CAS-9 LP Memory Kit 627812-B21

Unbuffered with ECC DIMMs (UDIMMs)

HP 1GB (1x1GB) Single Rank x8 PC3-10600 (DDR3-1333) Unbuffered CAS-9 Memory Kit 500668-B21

HP 2GB (1x2GB) Dual Rank x8 PC3-10600 (DDR3-1333) Unbuffered CAS-9 Memory Kit 500670-B21

HP 4GB (1x4GB) Dual Rank x8 PC3-10600 (DDR3-1333) Unbuffered CAS-9 Memory Kit 500672-B21

HP 4GB (1x4GB) Dual Rank x8 PC3L-10600 (DDR3-1333) Unbuffered CAS-9 Low Power Memory Kit 619488-B21

NOTE: Depending on the memory configuration and processor model the memory speed may run at 1066MHz or 800MHz. See the Online Memory Configuration Tool for details: <http://www.hp.com/go/ddr3memory-configurator>.

NOTE: Kits described as LP include Low Power DIMMs. For more information on ProLiant Energy Efficient Features, see: www.hp.com/go/proliant-energy-efficient.

NOTE: PC3L is a low voltage memory

Configuration Information - Factory Integrated Models

Step 3: Choose Additional Factory Integratable Options (only one of the following from each list unless otherwise noted)

HP Storage Controllers	NOTE: For additional Storage Controllers and Options see Additional Options in Step 4 below. Only FIO options are displayed in Step 3.	
	HP Smart Array P212/256 BBWC 1-ports Int/1-ports Ext PCIe x8 FIO SAS Controller	491191-B21
	HP Smart Array P410/ZM 2-ports Int PCIe x8 FIO SAS Controller	462860-B21
	NOTE: May be selected if P/N 515938-B21 selected in Step 2 above.	
	HP Smart Array P410/256 BBWC 2-ports Int PCIe x8 FIO SAS Controller	491195-B21
	NOTE: May be selected if P/N 515938-B21 selected in Step 2 above.	
	HP Smart Array P411/256 BBWC 2-ports Ext PCIe x8 FIO SAS Controller	491193-B21
	NOTE: Any factory integrated Smart Array Controller purchase automatically includes the HP MS HP CA MiniSAS to MiniSAS 33" Cable Kit (P/N 496014-B21).	
HP Insight Software	HP Insight Control including 1yr 24x7 Support ProLiant ML/DL/BL-bundle Single Server FIO License	582765-B21

Step 4: Choose Additional Options for Factory Integration

NOTE: For additional options, please refer to the "Core Options" and "Additional Options" section below.

Core Options

NOTE: Some options may not be integrated at the factory. To ensure only valid configurations are ordered, HP recommends the use of an HP approved configurator. Contact your local sales representative for additional information.

HP Memory

Registered DIMMs (RDIMMs)

HP 2GB (1x2GB) Dual Rank x8 PC3-10600 (DDR3-1333) Registered CAS-9 Memory Kit	500656-B21
HP S-Buy 2GB (1x2GB) Dual Rank x8 PC3-10600 (DDR3-1333) Registered CAS-9 Memory Kit	500656-S21
HP 4GB (1x4GB) Dual Rank x4 PC3-10600 (DDR3-1333) Registered CAS-9 Memory Kit	500658-B21
HP S-Buy 4GB (1x4GB) Dual Rank x4 PC3-10600 (DDR3-1333) Registered CAS-9 Memory Kit	500658-S21
HP 4GB (1x4GB) Single Rank x4 PC3-10600 (DDR3-1333) Registered CAS-9 Memory Kit	593339-B21
HP S-Buy 4GB (1x4GB) Single Rank x4 PC3-10600 (DDR3-1333) Registered CAS-9 Memory Kit	593339-S21
HP 4GB (1x4GB) Single Rank x4 PC3L-10600 (DDR3-1333) Registered CAS-9 Low Power Memory Kit	604504-B21
NOTE: Low Voltage DIMMs can only be used with Intel® Xeon® processor X5600 series processors.	
HP 8GB (1x8GB) Dual Rank x4 PC3-10600 (DDR3-1333) Registered CAS-9 Memory Kit	500662-B21
HP S-Buy 8GB (1x8GB) Dual Rank x4 PC3-10600 (DDR3-1333) Registered CAS-9 Memory Kit	500662-S21
HP 8GB (1x8GB) Dual Rank x4 PC3L-10600 (DDR3-1333) Registered CAS-9 Low Power Memory Kit	604506-B21
NOTE: Low Voltage DIMMs can only be used with Intel® Xeon® processor X5600 series processors.	
HP 16GB (1x16GB) Quad Rank x4 PC3-8500 (DDR3-1066) Registered CAS-7 Memory Kit	500666-B21
HP S-Buy 16GB (1x16GB) Quad Rank x4 PC3-8500 (DDR3-1066) Registered CAS-7 Memory Kit	500666-S21
HP 16GB (1x16GB) Dual Rank x4 PC3L-10600 (DDR3-1333) Registered CAS-9 LP Memory Kit	627812-B21

Unbuffered with ECC DIMMs (UDIMMs)

HP 1GB (1x1GB) Single Rank x8 PC3-10600 (DDR3-1333) Unbuffered CAS-9 Memory Kit	500668-B21
HP 2GB (1x2GB) Dual Rank x8 PC3-10600 (DDR3-1333) Unbuffered CAS-9 Memory Kit	500670-B21
HP S-Buy 2GB (1x2GB) Dual Rank x8 PC3-10600 (DDR3-1333) Unbuffered CAS-9 Memory Kit	500670-S21
HP 4GB (1x4GB) Dual Rank x8 PC3-10600 (DDR3-1333) Unbuffered CAS-9 Memory Kit	500672-B21
HP S-Buy 4GB (1x4GB) Dual Rank x8 PC3-10600 (DDR3-1333) Unbuffered CAS-9 Memory Kit	500672-S21
HP 4GB (1x4GB) Dual Rank x8 PC3L-10600 (DDR3-1333) Unbuffered CAS-9 Low Power Memory Kit	619488-B21

NOTE: Depending on the memory configuration and processor model the memory speed may run at 1066MHz or 800MHz. See the Online Memory Configuration Tool for details: <http://www.hp.com/go/ddr3memory-configurator>.

NOTE: Kits described as LP include Low Power DIMMs. For more information on ProLiant Energy Efficient Features, see: www.hp.com/go/proliant-energy-efficient.

NOTE: PC3L is a low voltage memory

Core Options

HP Optical Drives	HP 9.5mm SATA DVD-ROM Optical Drive	481045-B21
	HP 9.5mm SATA DVD-RW Optical Drive	481047-B21

HP Hard Drives

NOTE: The components of a storage subsystem (e.g. the drive, the HBA/controller, firmware, and the server backplane) should operate at the same data transfer rate or the system bandwidth will be negotiated down to an acceptable level for all components.

NOTE: Hard drives have either a one year or three year warranty; refer to the specific hard drive QuickSpecs for details.

SAS Hot Plug SFF (2.5-inch) Enterprise (ENT) Drives

HP 900GB 6G SAS 10K rpm SFF (2.5-inch) Dual Port Enterprise 3yr Warranty Hard Drive	619291-B21
HP 900GB 6G SAS 10K rpm SFF (2.5-inch) Dual Port Enterprise 3yr Warranty Hard Drive S-Buy	619291-S21
HP 600GB 6G SAS 10K rpm SFF (2.5-inch) Dual Port Enterprise 3yr Warranty Hard Drive	581286-B21
HP 600GB 6G SAS 10K rpm SFF (2.5-inch) Dual Port Enterprise 3yr Warranty Hard Drive S-Buy	581286-S21
HP 450GB 6G SAS 10K rpm SFF (2.5-inch) Dual Port Enterprise 3yr Warranty Hard Drive	581284-B21
HP 300GB 6G SAS 10K rpm SFF (2.5-inch) Dual Port Enterprise 3yr Warranty Hard Drive	507127-B21
HP 300GB 6G SAS 10K rpm SFF (2.5-inch) Dual Port Enterprise 3yr Warranty Hard Drive S-Buy	507127-S21
HP 300GB 6G SAS 15K rpm SFF (2.5-inch) Hot Plug Enterprise 3 yr Warranty Hard Drive	627117-B21
HP 300GB 6G SAS 15K rpm SFF (2.5-inch) Hot Plug Enterprise 3 yr Warranty Hard Drive S-Buy	627117-S21
HP 146GB 6G SAS 15K rpm SFF (2.5-inch) Dual Port Enterprise 3yr Warranty Hard Drive	512547-B21
HP 146GB 6G SAS 15K rpm SFF (2.5-inch) Dual Port Enterprise 3yr Warranty Hard Drive S-Buy	512547-S21
HP 146GB 6G SAS 10K rpm SFF (2.5-inch) Dual Port Enterprise 3yr Warranty Hard Drive S-Buy	507125-S21

SAS Hot Plug LFF (3.5-inch) Enterprise (ENT) Drives

HP 600GB 6G SAS 15K rpm LFF (3.5-inch) Dual Port Enterprise 3yr Warranty Hard Drive	516828-B21
HP 450GB 6G SAS 15K rpm LFF (3.5-inch) Dual Port Enterprise 3yr Warranty Hard Drive	516816-B21
HP 300GB 6G SAS 15K rpm LFF (3.5-inch) Dual Port Enterprise 3yr Warranty Hard Drive	516814-B21

SAS Hot Plug SFF (2.5-inch) Midline (MDL) Drives

HP 1TB 6G SAS 7.2K rpm SFF (2.5-inch) Dual Port Midline 1yr Warranty Hard Drive	605835-B21
HP 500GB 6G SAS 7.2K rpm SFF (2.5-inch) Dual Port Midline 1yr Warranty Hard Drive	507610-B21

SAS Hot Plug LFF (3.5-inch) Midline (MDL) Drives

HP 3TB 6G SAS 7.2K rpm LFF (3.5-inch) Midline 1yr Warranty Hard Drive	625031-B21
HP 2TB 6G SAS 7.2K rpm LFF (3.5-inch) Dual Port Midline 1yr Warranty Hard Drive	507616-B21
HP 1TB 6G SAS 7.2K rpm LFF (3.5-inch) Dual Port Midline 1yr Warranty Hard Drive	507614-B21

Core Options

NOTE: SAS Hard Drives are only supported with optional SAS HBA or RAID cards.

NOTE: Please see the QuickSpecs for Technical Specifications and additional information:

http://h18000.www1.hp.com/products/quickspecs/12244_na/12244_na.html

SATA Hot Plug SFF (2.5-inch) Midline (MDL) Drives

HP 1TB 3G SATA 7.2K rpm SFF (2.5-inch) Hot Plug Midline 1yr Warranty Hard Drive 625609-B21

HP 1TB 3G SATA 7.2K rpm SFF (2.5-inch) Hot Plug Midline 1yr Warranty Hard Drive S-Buy 625609-S21

HP 500GB 3G SATA 7.2K rpm SFF (2.5-inch) Midline 1yr Warranty Hard Drive 507750-B21

HP 500GB 3G SATA 7.2K rpm SFF (2.5-inch) Midline 1yr Warranty Hard Drive S-Buy 507750-S21

SATA Hot Plug LFF (3.5-inch) Midline (MDL) Drives

HP 2TB 3G SATA 7.2K rpm LFF (3.5-inch) Midline 1yr Warranty Hard Drive 507632-B21

HP 1TB 3G SATA 7.2K rpm LFF (3.5-inch) Midline 1yr Warranty Hard Drive 454146-B21

HP 1TB 3G SATA 7.2K rpm LFF (3.5-inch) Midline 1yr Warranty Hard Drive S-Buy 454146-S21

HP 500GB 3G SATA 7.2K rpm LFF (3.5-inch) Midline 1yr Warranty Hard Drive 458928-B21

HP 500GB 3G SATA 7.2K rpm LFF (3.5-inch) Midline 1yr Warranty Hard Drive S-Buy 458928-S21

SATA Hot Plug LFF (3.5-inch) Entry (ETY) Drives

HP 250GB 3G SATA 7.2K rpm LFF (3.5-inch) Entry 1yr Warranty Hard Drive 571230-B21

NOTE: SATA hard drives have a 1-year warranty. Please see the QuickSpecs for Technical Specifications and additional information:

http://h18000.www1.hp.com/products/quickspecs/13021_na/13021_na.html

SATA Hot Plug 2.5" Enterprise Mainstream Solid State Drives

HP 400GB 3G SATA MLC SFF (2.5-inch) Enterprise Mainstream 3yr Warranty Solid State Drive 636597-B21

HP 200GB 3G SATA MLC SFF (2.5-inch) Enterprise Mainstream 3yr Warranty Solid State Drive 636595-B21

HP 100GB 3G SATA MLC SFF (2.5-inch) Enterprise Mainstream 3yr Warranty Solid State Drive 636593-B21

SATA Hot Plug 3.5" Midline (MDL) Solid State Drives

HP 400GB 3G SATA MLC LFF (3.5-inch) Enterprise Mainstream 3yr Warranty Solid State Drive 636611-B21

HP 200GB 3G SATA MLC LFF (3.5-inch) Enterprise Mainstream 3yr Warranty Solid State Drive 636609-B21

HP 100GB 3G SATA MLC LFF (3.5-inch) Enterprise Mainstream 3yr Warranty Solid State Drive 636607-B21

NOTE: Please see the QuickSpecs for Technical Specifications and additional information:

http://h18000.www1.hp.com/products/quickspecs/14038_na/14038_na.html

6G SAS ME Hot Plug SFF (2.5-inch) Enterprise Mainstream Solid State Drives

HP 800GB 6G SAS Mainstream Endurance SFF 2.5-in Enterprise Mainstream 3yr Warranty Solid State Drive 690823-B21

HP 400GB 6G SAS Mainstream Endurance SFF 2.5-in ENT Mainstream 3yr Warranty Solid State Drive 690821-B21

Core Options

HP 200GB 6G SAS Mainstream Endurance SFF 2.5-in Enterprise Mainstream 3yr Warranty Solid State Drive 690819-B21

6G SAS Hot Plug Enterprise Performance Solid State Drives

HP 400GB 6G SAS SLC SFF (2.5-inch) Enterprise Performance 3yr Warranty Solid State Drive 632494-B21

HP 200GB 6G SAS SLC SFF (2.5-inch) Enterprise Performance 3yr Warranty Solid State Drive 632492-B21

NOTE: Please see the QuickSpecs for Technical Specifications and additional information:

http://h18000.www1.hp.com/products/quickspecs/14038_na/14038_na.html

HP Networking

Gigabit Ethernet Adapters

HP NC112T PCI Express Gigabit Server Adapter 503746-B21

HP NC360T PCI-E Dual Port Gigabit Server Adapter 412648-B21

HP NC364T PCI-E Quad Port Gigabit Server Adapter 435508-B21

HP NC365T 4-port Ethernet Server Adapter 593722-B21

HP NC373F PCI-E Multifunction 1000SX Gigabit Svr Adapter 394793-B21

HP NC373T PCI-E Multifunction Gigabit Server Adapter 394791-B21

HP NC375T PCI Express Quad Port Gigabit Server Adapter 538696-B21

HP NC382T PCI Express Dual Port Multifunction Gigabit Server Adapter 458492-B21

10 Gigabit Ethernet Adapters

NOTE: A minimum of two Gigabytes (2 GB) of server memory is required per each adapter.

NOTE: Direct Attach Cable (DAC) for copper environments or fiber transceivers and cables for fiber-optic environments must be purchased separately.

HP NC523SFP 10Gb 2-port Server Adapter 593717-B21

HP NC550SFP Dual Port 10GbE Server Adapter 581201-B21

HP NC552SFP 10Gb 2-port Ethernet Server Adapter 614203-B21

NOTE: Please see the QuickSpecs for Technical Specifications and additional information: www.hp.com/go/ProLiantNICs.

HP I/O Expansion Options

HP DL320 G6 PCI-X Riser Kit 516230-B21

HP Dedicated iLO Management Port Option 514206-B21

HP Power Supplies

HP Common Slot Gold Power Supplies

NOTE: The following Power Supplies offer up to 92% efficiency.

HP 460W Common Slot Gold Hot Plug Power Supply Kit 503296-B21

HP Multi-Output Power Supplies

HP 365W Redundant Power Supply Kit w/ Backplane 532092-B21

Additional Options

NOTE: Some options may not be integrated at the factory. To ensure only valid configurations are ordered, HP recommends the use of an HP approved configurator. Contact your local sales representative for additional information.

HP Insight Software	HP Insight Control	
	HP Insight Control including 1yr 24x7 Technical Support and Updates Electronic License	T9074BAE
	HP Insight Control including 1yr 24x7 Technical Support and Updates Electronic License S-Buy	T9074ASE
	HP Insight Control including 1yr 24x7 Support ProLiant ML/DL/BL-bundle Electronic License	TC278AAE
	HP Insight Control including 1yr 24x7 Technical Support and Updates Single Server License	452148-B22
	HP Insight Control including 1yr 24x7 Technical Support and Updates Single Server License S-Buy	452148-S22
	HP Insight Management Media Kit	436222-B21
	NOTE: HP Insight Management Media Kit contains DVDs without licenses. Contains HP Systems Insight Manager, HP Insight Control, HP Matrix Operating Environment, and Virtual Connect Enterprise Manager software. Uses an integrated installer to perform quick and accurate software installation and updates.	
	NOTE: Electronic and Flexible-Quantity licenses can be used to purchase multiple licenses with a single activation key.	
	NOTE: Customer will receive a license entitlement certificate. The license entitlement certificate must be redeemed online or via fax in order to obtain the license activation key(s). Includes one year of 24 x 7 HP Software Technical Support and Update Service.	
	NOTE: Licenses ship without media. The HP Insight Control Media Kit can be ordered separately, or can be downloaded at: http://www.hp.com/go/insightupdates .	
	NOTE: For additional license options please see the Insight Control QuickSpecs at: http://h18000.www1.hp.com/products/quickspecs/12631_na/12631_na.html	
	HP Integrated Lights-Out (iLO) Advanced for ProLiant Remote Management	
	HP iLO Advanced including 1yr 24x7 Technical Support and Updates Electronic License	TA850AAE
	HP iLO Advanced Electronic License with 3yr 24x7 Tech Support and Updates	BD506AAE
	HP iLO Advanced including 1yr 24x7 Technical Support and Updates Single Server License	512485-B21
	HP iLO Advanced 1 Server License with 3yr 24x7 Tech Support and Updates	BD505A
	HP iLO Advanced including 1yr 24x7 Technical Support and Updates Flexible Quantity License	512486-B21
	HP iLO Advanced Flexible Qty License with 3yr 24x7 Tech Support and Updates	BD506A
	HP iLO Advanced including 1yr 24x7 Technical Support and Updates Tracking License	512487-B21
	HP iLO Advanced Tracking License with 3yr 24x7 Tech Support and Updates	BD507A
	NOTE: This license allows 1 server to be deployed and managed via HP iLO Advanced. Customer will receive a printed license entitlement certificate via physical shipment. The license entitlement certificate must be redeemed online or via fax in order to obtain the license activation key(s). Includes one year of 24 x 7 HP Software Technical Support Service	
	NOTE: For additional license kits, including electronic delivery options, please see the QuickSpecs at: http://h18000.www1.hp.com/products/quickspecs/12362_na/12362_na.html	

Additional Options

HP Insight Control server deployment

HP Insight Control Server Deployment including 1yr 24x7 Support Electronic License T9082AAE

HP Insight Control Server Deployment including 1yr 24x7 Support Single Server License 452151-B21

NOTE: Licenses ship without media. The Insight Control Media Kit can be ordered separately, or can be downloaded at: <http://www.hp.com/go/insightupdates>.

NOTE: Electronic licenses can be used to purchase multiple licenses with a single activation key.

NOTE: Customer will receive a license entitlement certificate, which must be redeemed online or via fax in order to obtain the license activation key(s). Includes one year of 24 x 7 HP Software Technical Support Service.

NOTE: For additional license kits please see the Insight Control QuickSpecs at: http://h18004.www1.hp.com/products/quickspecs/12631_na/12631_na.html

High Performance Clusters

HP Cluster Management Utility

HP Insight Cluster Management Utility 1yr 24x7 Flexible License QL803B

HP Insight Cluster Management Utility 3yr 24x7 Flexible License BD476A

NOTE: These part numbers can be used to purchase one certificate for multiple licenses and support with a single activation key. Each license is for one node (server). Customer will receive a printed end user license agreement and license entitlement certificate via physical shipment. The license entitlement certificate must be redeemed online in order to obtain a license key. Customer also will receive a support agreement.

HP Insight Cluster Management Utility Media BD477A

NOTE: For additional license kits please see the QuickSpecs at:

http://h18004.www1.hp.com/products/quickspecs/12612_na/12612_na.html

HP HPC Linux Value Pack

HP High Performance Computing Linux Value Pack 1 Processor Flexible License for ProLiant Servers TC293B

NOTE: This part number can be used to purchase one certificate for multiple licenses with a single activation key. Each license is for one socket (a.k.a. processor). Customer will receive a printed end user license agreement and license entitlement certificate via physical shipment. The license entitlement certificate must be redeemed online in order to obtain a license key.

HP High Performance Computing Linux Value Pack Media Kit for ProLiant Servers TC294A

NOTE: This part number can be used to purchase media including software and documentation, which will be delivered to the customer.

NOTE: For additional license kits please see the QuickSpecs at:

http://h18004.www1.hp.com/products/quickspecs/13485_na/13485_na.html

Additional Options

HP Security

HP Trusted Platform Module Option

488069-B21

NOTE: The TPM (Trusted Platform Module) is a microcontroller chip that can securely store artifacts used to authenticate the server platform. These artifacts can include passwords, certificates and encryption keys. Windows® BitLocker™ Drive Encryption (BitLocker) is a data protection feature available in Windows Server® 2008. BitLocker leverages the enhanced security capabilities of a Trusted Platform Module (TPM) version 1.2. The TPM works with BitLocker to help protect user data and to ensure that a server running Windows Server 2008 has not been tampered with while the system was offline. For more information about TPM, including a white paper, go to: www.hp.com/go/TPM.

NOTE: ProLiant OS pre-installed units will come with the partition required for TPM deployment.

NOTE: The TPM key is unique to every TPM deployed server and must be retained. Misplacing or losing the key could result in data loss.

HP Storage Controllers

SAS Controllers

NOTE: When using the following Smart Array Controllers the HP MS HP CA MiniSAS to MiniSAS 33" Cable Kit (P/N 496014-B21) is required.

Smart Array P212 Controller

HP Smart Array P212/ZM 1-ports Int/1-ports Ext PCIe x8 SAS Controller

462828-B21

HP Smart Array P212/256 1-ports Int/1-ports Ext PCIe x8 SAS Controller

462834-B21

Smart Array P410 Controller

HP Smart Array P410/256 2-ports Int PCIe x8 SAS Controller

462862-B21

HP Smart Array P410/512 BBWC 2-ports Int PCIe x8 SAS Controller

462864-B21

HP Smart Array P410/512 FBWC 2-ports Int PCIe x8 SAS Controller

578230-B21

HP Smart Array P410/1G FBWC 2-ports Int PCIe x8 SAS Controller

572532-B21

Smart Array P411 Controller

HP Smart Array P411/256 2-ports Ext PCIe x8 SAS Controller

462830-B21

HP Smart Array P411/512 BBWC 2-ports Ext PCIe x8 SAS Controller

462832-B21

HP Smart Array P411/512 FBWC 2-ports Ext PCIe x8 SAS Controller

578229-B21

HP Smart Array P411/1G FBWC 2-ports Ext PCIe x8 SAS Controller

572531-B21

Smart Array P812 Controller

HP Smart Array P812/1G FBWC 2-ports Int/4-ports Ext PCIe x8 SAS Controller

487204-B21

Optional Upgrades

HP 256MB P-series Cache Upgrade

462968-B21

NOTE: Supported on HP Smart Array P212 Controller only.

HP 512MB P-Series Battery Backed Write Cache Upgrade

462967-B21

NOTE: Supported on HP Smart Array P410 Controller and HP Smart Array P411 Controller only.

HP 650 mAh P-Series Battery

462969-B21

NOTE: To enable BBWC on the 256MB cache.

NOTE: Supported on HP Smart Array P212 Controller, HP Smart Array P410 Controller, and HP Smart Array P411 Controller only.

HP 512MB Flash Backed Write Cache

534916-B21

Additional Options

HP 1GB Flash Backed Cache	534562-B21
HP Smart Array Hot Plug Advance Pack for B110i w/1y 24x7 Supp Physical 1 Svr LTU	TC421A
HP Smart Array Advanced Pack including 1yr 24x7 Technical Support and Updates Electronic License	TA852AAE
HP Smart Array Advanced Pack including 1yr 24x7 Technical Support and Updates Flexible Quantity Lic	516474-B21

NOTE: Please see the following QuickSpecs for Technical Specifications and additional information:

http://h18000.www1.hp.com/products/quickspecs/13203_na/13203_na.html
(Smart Array P212 Controller)

http://h18000.www1.hp.com/products/quickspecs/13201_na/13201_na.html
(Smart Array P410 Controller)

http://h18000.www1.hp.com/products/quickspecs/13202_na/13202_na.html
(Smart Array P411 Controller)

http://h18000.www1.hp.com/products/quickspecs/13200_na/13200_na.html
(Smart Array Advanced Pack)

SAS HBA

HP Modular Smart Array SC08e 2-ports Ext PCIe x8 SAS Host Bus Adapter	614988-B21
---	------------

NOTE: This is a 2 x4 External Port HBA

NOTE: This is only approved for the HP P2000 G3 SAS Modular Smart Array.

NOTE: Please see the QuickSpecs for Technical Specifications and additional information:

http://h18004.www1.hp.com/products/quickspecs/13651_na/13651_na.html
(SC08e 6Gb HBA)

SCSI HBA

HP SC11Xe Ultra320 Single Channel/ PCIe x4 SCSI Host Bus Adapter	412911-B21
--	------------

NOTE: Please see the following QuickSpecs for Technical Specifications and additional information:

http://h18000.www1.hp.com/products/quickspecs/12566_na/12566_na.html
(SC11Xe HBA)

Additional Options

HP Tape Backup

NOTE: For the complete range of tape drives, autoloaders, libraries and media see: <http://www.hp.com/go/tape>. For hardware and software compatibility of HP tape backup products see: <http://www.hp.com/storage/SPOCK>.

HP 1/8 G2 LTO-4 Ultrium 1760 SAS Tape Autoloader	AK377A
NOTE: Connection using HP Smart Array P212/Zero Memory Controller (462828-B21) recommended.	
HP LTO-4 Ultrium 1760 SAS (1) in 1U Rack-mount Kit	EH946B
NOTE: Connection using HP Smart Array P212/Zero Memory Controller (462828-B21) recommended.	
HP LTO-4 Ultrium 1840 (1) SCSI Tape Drive in 3U Rack-mount Kit	EH926A
HP LTO-5 Ultrium 3280 SAS Tape Drive in 3U Rackmount	EJ013A
HP LTO-5 Ultrium 3000 SAS Tape Drive in 1U Rackmount	EJ014A
NOTE: Connection using HP Smart Array P212/Zero Memory Controller (462828-B21) recommended.	
HP 1/8 G2 LTO-5 Ultrium 3000 SAS Tape Autoloader	BL536A
NOTE: Requires HP 1U Tape Autoloader Rack Kit (AH166A) for rack installation. Connection using HP P212 Smart Array Controller SAS (462828-B21) recommended.	
HP MSL2024 1 LTO-4 Ultrium 1760 SAS Tape Library	AK378A
HP MSL2024 1 LTO-5 Ultrium 3000 SAS Tape Library	BL537A
NOTE: Connection using HP P212 Smart Array Controller SAS (462828-B21) recommended.	
HP MSL4048 2 LTO-4 Ultrium 1760 SAS Tape Library	AK380A
HP MSL4048 2 LTO-5 Ultrium 3000 SAS Tape Library	BL538A
NOTE: Connection using HP P212 Smart Array Controller SAS (462828-B21) recommended.	
HP StoreEver LTO-6 Ultrium 6650 Tape Drive in 3U Rack-mount Kit	COL98A
HP StoreEver LTO-6 Ultrium 6250 Tape Drive in 1U Rack-mount Kit	COL99A
HP StoreEver LTO-6 Ultrium 6650 Internal Tape Drive	EH963A
HP StoreEver LTO-6 Ultrium 6650 External Tape Drive	EH964A
HP StoreEver LTO-6 Ultrium 6250 Internal Tape Drive	EH969A
HP StoreEver LTO-6 Ultrium 6250 External Tape Drive	EH970A

Additional Options

HP Disk Backup

NOTE: For the complete range of D2D Backup Systems see: <http://www.hp.com/go/d2d>. For the complete range of RDX drives and media see: <http://www.hp.com/go/rdx>. For hardware and software compatibility of HP disk backup products see: <http://www.hp.com/storage/SPOCK>.

HP D2D Backup Systems with Backup Data Deduplication

HP D2D2502i Backup System	EJ001C
HP D2D2504i Backup System	EJ002C
HP D2D4112 Backup System	EH993C

HP RDX Removable Disk Backup Systems USB

HP RDX1000 USB3.0 Internal Disk Backup System	B7B67A
HP RDX320 USB3.0 Internal Disk Backup System	B7B62A
HP RDX500 USB3.0 Internal Disk Backup System	B7B64A
HP RDX320 Internal Removable Disk Backup System	AJ767A

NOTE: For installation into 1U USB Rack-Mount Kit (A8007A). No peripheral bay available for drive installation into the server. 320GB of disk capacity per data cartridge.

HP RDX500 Internal Removable Disk Backup System	AJ934A
---	--------

NOTE: For installation into 1U USB Rack-Mount Kit (A8007A). No peripheral bay available for drive installation into the server. 500GB of disk capacity per data cartridge.

HP StoreOnce 2620 iSCSI Backup	BB852A
HP StoreOnce 4220 Backup	BB855A

HP Storage Options

NOTE: The following is a list of all Fibre Channel Host Bus Adapters for Windows and Linux. For detailed compatibility information please see: <http://h18006.www1.hp.com/storage/saninfrastructure/hba.html>

Brocade Fibre Channel HBAs

HP 81B 8Gb 1-port PCIe Fibre Channel Host Bus Adapter	AP769B
HP 82B 8Gb 2-port PCIe Fibre Channel Host Bus Adapter	AP770B
HP 41B 4Gb 1-port PCIe Fibre Channel Host Bus Adapter	AP767B
HP 42B 4Gb 2-port PCIe Fibre Channel Host Bus Adapter	AP768B

Emulex Fibre Channel HBAs

HP 81E 8Gb 1-port PCIe Fibre Channel Host Bus Adapter	AJ762B
HP 82E 8Gb 2-port PCIe Fibre Channel Host Bus Adapter	AJ763B
HP FC2142SR 4Gb 1-port PCIe Fibre Channel Host Bus Adapter	A8002B
HP FC2242SR 4Gb 2-port PCIe Fibre Channel Host Bus Adapter	A8003B

QLogic Fibre Channel HBAs

HP 81Q 8Gb 1-port PCIe Fibre Channel Host Bus Adapter	AK344A
HP 82Q 8Gb 2-port PCIe Fibre Channel Host Bus Adapter	AJ764A
HP FC1142SR 4Gb 1-port PCIe Fibre Channel Host Bus Adapter	AE311A
HP FC1242SR 4Gb 2-port PCIe Fibre Channel Host Bus Adapter	AE312A

Converged Network Adapter

HP CN1100E Dual Port Converged Network Adapter	BK835A
HP CN1000Q Dual Port Converged Network Adapter	BS668A

Additional Options

HP CN1000E Dual Port Converged Network Adapter AW520B

HP Disk Storage Systems **Disk Enclosures**

HP D2600 Disk Enclosure AJ940A

HP D2700 Disk Enclosure AJ941A

NOTE: Please see the QuickSpecs for additional options and configuration information at:
http://h18000.www1.hp.com/products/quickspecs/13404_na/13404_na.html

HP Uninterruptible Power Systems **HP Rack-mountable UPS**

HP R1500 G3 Uninterruptible Power Supply (UPS)

HP R1.5kVA G3 1U Uninterruptible Power System AF469A

NOTE: Please see the QuickSpecs for additional information:
http://h18000.www1.hp.com/products/quickspecs/14059_na/14059_na.html

HP R/T3000 G2 Uninterruptible Power System (UPS)

HP R/T3000 G2 2U L530 Low Voltage Uninterruptible Power System AF466A

HP R/T3000 G2 2U L620 High Voltage Uninterruptible Power System AF467A

NOTE: Please see the QuickSpecs for additional information:
http://h18000.www1.hp.com/products/quickspecs/14058_na/14058_na.html

R5000 Uninterruptible Power System (UPS)

HP R5KVA 3U L630 High Voltage Uninterruptible Power System AF460A

HP R5KVA and R7KVA 3U Extended Runtime Module AF464A

NOTE: Please see the QuickSpecs for additional information:
http://h18000.www1.hp.com/products/quickspecs/14109_na/14109_na.html

R7000 Uninterruptible Power System (UPS)

HP R7KVA 4U 50A High Voltage Uninterruptible Power System AF462A

NOTE: Please see the QuickSpecs for additional information:
http://h18000.www1.hp.com/products/quickspecs/14110_na/14110_na.html

NOTE: Additional HP Uninterruptible Power Systems (UPS) are available for this equipment. For information on all HP UPSs and accessories please go to www.hp.com/products/ups

NOTE: For additional information on sizing your HP UPS, please reference:
<http://www.upssizer.com>

NOTE: Please see the UPS and PDU cable matrix's on the HP Power Protection and Management page. Under Power Cords, click on the "HP Power Cord Matrix" link. That link will list cable descriptions, requirements, and specifications for UPS and PDU units. Please see the following link: www.hp.com/products/powercords.

Additional Options

HP Power Distribution Units

HP Monitored Power Distribution Unit: Half Rack Version

HP 4.9kVA 24A Single Input Single Phase Monitored Power Distribution Unit AF914A

HP Monitored Power Distribution Unit: Full Rack Version

HP 8.6kVA 24A Single Input Three Phase Monitored Power Distribution Unit AF504A

HP 16.6kVA 40A Dual Input Single Phase NA/JP Monitored Power Distribution Unit AF505A

HP 8.3kVA 40A Single Input Single Phase Monitored Power Distribution Unit AF506A

NOTE: Please see the following QuickSpecs for additional information:

http://h18000.www1.hp.com/products/quickspecs/12118_na/12118_na.html

Modular Power Distribution Units 1U/0U (Up to 32 outlets)

NOTE: 1U/0U mounting brackets shipped with the unit (optimized for 10000 and 9000 series racks).

HP 2.8kVA 24A Low Voltage NA/JP Modular Power Distribution Unit 252663-D71

HP 4.9kVA 24A High Voltage NA/JP Modular Power Distribution Unit 252663-D72

HP 8.3kVA 40A High Voltage Modular Power Distribution Unit 252663-D73

NOTE: Please see the following QuickSpecs for additional options including shorter jumper cables and country specific power cords:

http://h18000.www1.hp.com/products/quickspecs/11041_na/11041_na.html

NOTE: For additional information on HP Power Distribution Units including accessories please go to: www.hp.com/go/pdu.

NOTE: Please see the UPS and PDU cable matrix's on the HP Power Protection and Management page. Under Power Cords, click on the "HP Power Cord Matrix" link. That link will list cable descriptions, requirements, and specifications for UPS and PDU units. Please see the following link: www.hp.com/products/powercords.

HP Intelligent Power Distribution Units (iPDU)

iPDU Core Units

HP 4.9kVA 24A Single Phase NA/JP Core Intelligent Modular Power Distribution Unit AF520A

HP 8.6kVA 24A Three Phase NA/JP Core Intelligent Modular Power Distribution Unit AF522A

HP 11.4kVA 16A 415V Three Phase L22-20 NA Core Intelligent Power Distribution Unit AF900A

HP 17.3kVA 24A 415V Three Phase L22-30 NA Core Intelligent Power Distribution Unit AF902A

HP 17.3kVA 24A 415V Three Phase IEC309 NA Core Intelligent Power Distribution Unit AF901A

HP 17.3kVA 48A 208V Three Phase 12 Outlet Core NA/JP Intelligent Power Distribution Unit AF535A

HP 17.3kVA 24A 415V Three Phase 12 Outlet Core NA/JP Intelligent Power Distribution Unit AF537A

iPDU Extension Bars

HP 5x13 Intelligent PDU Extension Bar G2 Kit AF547A

HP 5x13 Outlets Power and UID LEDs Pair Standard Extension Bar AF528A

NOTE: Please see the QuickSpecs for Technical Specifications and additional information:

http://h18000.www1.hp.com/products/quickspecs/13650_na/13650_na.html

Additional Options

HP Rack Options

HP TFT7600 G2 KVM Console and Monitor (TFT7600 G2)

HP TFT7600 G2 KVM Console Rackmount Keyboard US Monitor AZ870A

NOTE: Please see the QuickSpecs for Technical Specifications and additional information:

http://h18000.www1.hp.com/products/quickspecs/13731_na/13731_na.html

HP Server Console Switches

HP Server Console 0x2x8 Port Analog Switch AF616A

HP Server Console 0x2x16 Port Analog Switch AF617A

HP TAA 0x2x16xKVM Server Console G2 Switch AF626A

NOTE: Please see the QuickSpecs for Technical Specifications and additional information:

http://h18000.www1.hp.com/products/quickspecs/11834_na/11834_na.html

HP Server Console Switch G2 with Virtual Media & CAC

HP 0x2x16 KVM Server Console Switch G2 with Virtual Media CAC Software AF618A

HP 0x2x32 KVM Server Console Switch G2 with Virtual Media CAC Software AF619A

HP KVM CAT5 1-pack USB Interface Adapter 336047-B21

NOTE: Please see the QuickSpecs for Technical Specifications and additional information:

http://h18000.www1.hp.com/products/quickspecs/13475_na/13475_na.html

HP IP Console Switch G2 with Virtual Media & CAC

HP 1x4 USB/PS2 KVM Console Switch AF611A

HP 1x1Ex8 KVM IP Console Switch G2 with Virtual Media CAC Software AF620A

HP 2x1Ex16 KVM IP Console Switch G2 with Virtual Media CAC Software AF621A

HP 4x1Ex32 KVM IP Console Switch G2 with Virtual Media CAC Software AF622A

NOTE: Please see the QuickSpecs for Technical Specifications and additional information:

http://h18000.www1.hp.com/products/quickspecs/13474_na/13474_na.html

HP USB and SD Options

HP 4GB Secure Digital High Capacity Flash Media Kit 580387-B21

NOTE: Blank USB and SD media device is supported for use with VMware and Citrix. USB/SD media must be installed in the internal slot of the ProLiant server. Learn more at: <http://www.hp.com/go/proliantvirtualization>.

HP 2GB USB Flash Media Drive Key Kit 608447-B21

NOTE: HP qualified blank USB key for use with HP ProLiant servers that support the VMware virtualization environment and other HP value-add software like SmartStart. HP recommends this industry standard USB flash device for use with VMware ESXi. USB device must be installed in the internal slot of the ProLiant server for use with VMware ESXi. Refer to [HP VMware Getting Started Guide](#) for installation instructions.

HP Internal USB Cable G6 Kit 536769-B21

Additional Options

HP Care Pack Services

Hardware Services On-site Service

HP 3 year Next business day ProLiant DL320 Hardware Support	U4479E
HP 3 year 4 hour 13x5 ProLiant DL320 Hardware Support	U4480E
HP 3 year 4 hour 24x7 ProLiant DL320 Hardware Support	U4481E
HP 3 year 6 hour 24x7 Call to Repair ProLiant DL320 Hardware Support	U4482E

Installation & Start-up Services

HP Install ProLiant DL320 Service	U4490E
HP Startup ProLiant DL320 Service	U4491E
HP Installation of ProLiant Add On/In Options Service	UH745E

Support Plus 24

HP 3 year Support Plus 24 Microsoft ProLiant DL320 Service	U4493E
HP 3 year Support Plus 24 SuSE ProLiant DL320 Service	U6309E

NOTE: For more information, customer/resellers can contact: <http://www.hp.com/hps/>

Smart Buy Care Pack Services

S-Buy 4-Hour Onsite Response, 13-Hour x 5-Day Coverage, 3 years	UE889E
S-Buy 4-Hour Onsite Response, 24-Hour x 7-Day Coverage, 3 years	UE890E
S-Buy 6-Hour Call to Repair, 24-Hour x 7-Day Coverage, 3 years	UM359E
HP SBuy3y24x7 24hCTRProLiant DL320HW Sup	HZ758E

NOTE: Smart Buy Care Packs can only be attached to Smart Buy SKUs

Memory

NOTE: Memory configurations listed do not apply to "Factory Integrated Models".

DDR3 memory population guidelines

NOTE: Charts do not represent all possible memory configurations.

For detailed memory configuration rules and guidelines, please use the Online DDR3 Memory Configuration Tool:
www.hp.com/go/ddr3memory-configurator

Some DIMM installation guidelines are summarized below:

- For servers with nine (9) memory slots;
- There are three (3) channels per processor, per server.
- There are three (3) DIMM slots for each memory channel; nine (9) total slots.
- Memory channel 1 consists of the three (3) DIMMs that are closest to the processor.
- Memory channel 3 consists of the three (3) DIMMs that are furthest from the processor.
- DIMM slots that are white should be populated first.
- Do not mix Unbuffered memory (UDIMMs) with Registered memory (RDIMMs).
- To maximize performance, balance the total memory capacity between all installed processors.
- It is not required, but it is recommended to load the channels similarly if possible.
- You can only have up to eight (8) ranks installed per channel.
- You can only install two quad-rank DIMMs per channel.
- You can only install two UDIMMs per channel; if available, the third slot in the channel must remain empty.
- Populate DIMMs from heaviest load (quad-rank) to lightest load (single-rank) within a channel.
- Heaviest load (DIMM with most ranks) within a channel goes furthest from the chipset.
- For memory mirroring mode, channel 3 must be unpopulated. Channels 1 and 2 are populated identically.
- For lock-step mode, channel 3 must be unpopulated. DIMMs in channels 1 and 2 will be installed in pairs. The paired slots will be 1,4; 2,5; 3,6 on a 3DPC system or 1,4; 2,5; on a 2DPC system.
- No mixing DIMM voltage; all DIMMs must be the same voltage.

DDR3 DIMM slot/capacity/populated speed table

DIMM Type ->	Registered (RDIMMs)							Unbuffered with ECC (UDIMMs)		
	Single Rank (1R)	Dual Rank (2R)				Quad Rank (4R)	Single Rank	Dual Rank (2R)		
DIMM Rank ->										
DIMM Capacity ->	4GB	2GB	4GB	8GB	8GB	16GB	4GB	16 GB	1GB	2GB
DIMM Native Speed (MHz) ->	1333	1333	1333	1066	1333	1333	1066	1066	1333	1333
SLOTS THAT CAN BE POPULATED										
9 slot servers	9	9	9	9	9	9	6	6	6	6
MAXIMUM CAPACITY (GB)										
9 slot servers	36	18	36	72	72	144	24	96	6	12
POPULATED DIMM SPEED (MHz)										
1 DIMM Per Channel	1333	1333	1333	1066	1333	1333	1066	1066	1333	1333
2 DIMM Per Channel	1333	1333	1333	1066	1333	1066/ 1333**	800	800	1066	1066
3 DIMM Per Channel	800	800	800	800	800	800***	n/a*	n/a*	n/a*	n/a*

Memory

* - not supported by HP at this time.

**2DPC: LV runs at 1066, Std voltage runs at 1333

***3DPC: LV/Std voltage runs at 800

NOTES:

- PC3-10600 DIMMs have a maximum speed of 1333MHz. PC3-8500 DIMMs have a maximum speed of 1066MHz
- Mixing DIMM speeds is allowed, but the system processor speed rules always override the DIMM capabilities.
- If you do mix DIMM speeds, the memory bus will default to the minimum clock rate of all DIMMs in the system - even if the slower DIMM is on the other processor.
- If you install 1x 1066MHz DIMM in channel 1 and 1x 1333MHz DIMM in channel 2, the maximum speed will be 1066MHz.
- If you install 1x 1066MHz DIMM in channel 1 and 5x 1333MHz DIMMs with 1 DIMM Per Channel (DPC) in each of the other channels, at the maximum speed will be 1066MHz.
- If you install 3DPC in one channel (if applicable) and 1DPC in all other channels, you run at 800MHz.
- Maximum memory speed will also depend on the processor installed
- References to the above MHz speeds are for the various speeds of DDR3 DIMMs; 1333 refers to DDR3-1333, etc.

DIMM slot and configuration diagrams

Basic memory slot & population diagram

- Population order; start with "A" first, "B" second, "C" third, etc.

9 DIMM SLOTS		
	CPU1	
	slot #	population order
Chnl 1	1	G
	2	D
	3	A
Chnl 2	4	H
	5	E
	6	B
Chnl 3	7	I
	8	F
	9	C

Standard memory configuration

- 6GB, consisting of three (3) 2GB dual-rank PC3-10600 RDIMMs

Memory

	CPU1	
	slot #	population order
Chnl 1	1	G; 16GB DIMM
	2	D; empty
	3	A; 2GB DIMM
Chnl 2	4	H; empty
	5	E; empty
	6	B; 2GB DIMM
Chnl 3	7	I; empty
	8	F; empty
	9	C; 2GB DIMM

Standard memory plus optional memory

- 102GB, consisting of three (3) 2GB RDIMMs plus six (6) 16GB RDIMMs
- 3x 2GB dual-rank PC3-10600 RDIMMs
- 6x 16GB dual-rank PC3-10600 RDIMMs

	CPU1	
	slot #	population order
Chnl 1	1	G; 16GB DIMM
	2	D; 16GB DIMM
	3	A; 2GB DIMM
Chnl 2	4	H; 16GB DIMM
	5	E; 16GB DIMM
	6	B; 2GB DIMM
Chnl 3	7	I; 16GB DIMM
	8	F; 16GB DIMM
	9	C; 2GB DIMM

Standard memory replaced with optional memory

RDIMM maximum configuration

- 144GB, consisting of nine (9) 16GB dual-rank PC3-10600 RDIMMs

Memory

	CPU1	
	slot #	population order
Chnl 1	1	G; empty
	2	D; 16GB DIMM
	3	A; 16GB DIMM
Chnl 2	4	H; 16GB DIMM
	5	E; 16GB DIMM
	6	B; 16GB DIMM
Chnl 3	7	I; 16GB DIMM
	8	F; 16GB DIMM
	9	C; 16GB DIMM

UDIMM maximum configuration (2 UDIMMs per Channel limit)

- 24GB, consisting of six (6) 4GB dual-rank PC3-10600 UDIMMs

	CPU1	
	slot #	
Chnl 1	1	G; empty
	2	D; 4GB DIMM
	3	A; 4GBDIMM
Chnl 2	4	H; empty
	5	E; 4GB DIMM
	6	B; 4GB DIMM
Chnl 3	7	I; empty
	8	F; 4GB DIMM
	9	C; 4GBIMM

NOTES;

Memory configurations above do not apply to "Factory Integrated Models".

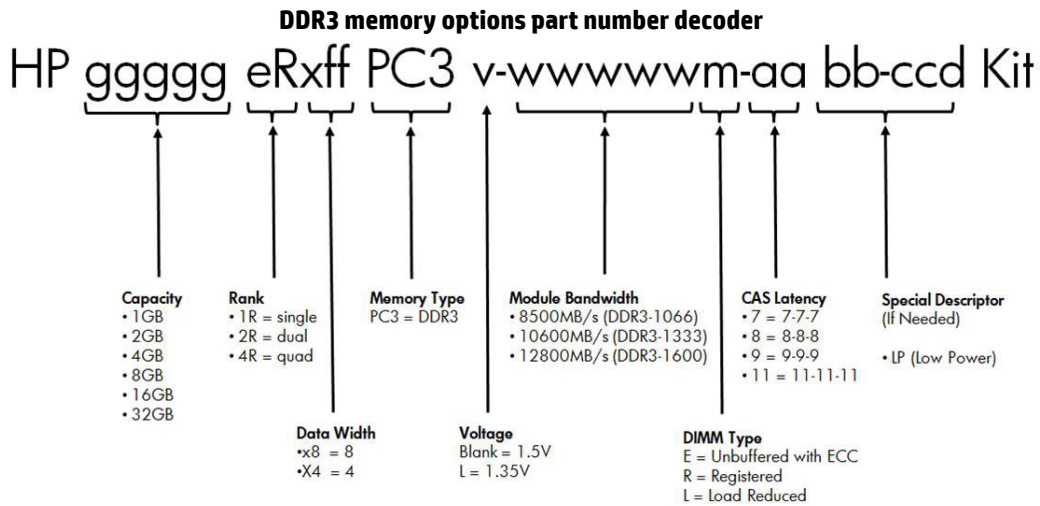
Capacity references are rounded to the common Gigabyte values.

- 1GB = 1024MB
- 2GB = 2048MB
- 4GB = 4096MB
- 8GB = 8192MB
- 16GB = 16384MB

For detailed memory configuration rules and guidelines, please use the Online DDR3 Memory Configuration Tool:

www.hp.com/go/ddr3memory-configurator

Memory



Following are memory options available from HP:

HP Memory

Registered DIMMs (RDIMMs)

HP 2GB (1x2GB) Dual Rank x8 PC3-10600 (DDR3-1333) Registered CAS-9 Memory Kit	500656-B21
HP 4GB (1x4GB) Dual Rank x4 PC3-10600 (DDR3-1333) Registered CAS-9 Memory Kit	500658-B21
HP 4GB (1x4GB) Single Rank x4 PC3-10600 (DDR3-1333) Registered CAS-9 Memory Kit	593339-B21
HP 4GB (1x4GB) Single Rank x4 PC3L-10600 (DDR3-1333) Registered CAS-9 Low Power Memory Kit	604504-B21

NOTE: Low Voltage DIMMs can only be used with Intel® Xeon® processor 5600 series processors.

HP 8GB (1x8GB) Dual Rank x4 PC3-10600 (DDR3-1333) Registered CAS-9 Memory Kit	500662-B21
HP 16GB (1x16GB) Quad Rank x4 PC3-8500 (DDR3-1066) Registered CAS-7 Memory Kit	500666-B21
HP 8GB (1x8GB) Dual Rank x4 PC3L-10600 (DDR3-1333) Registered CAS-9 Low Power Memory Kit	604506-B21

NOTE: Low Voltage DIMMs can only be used with Intel® Xeon® processor 5600 series processors.

HP 16GB (1x16GB) Dual Rank x4 PC3L-10600 (DDR3-1333) Registered CAS-9 LP Memory Kit	627812-B21
---	------------

Unbuffered with ECC DIMMs (UDIMMs)

HP 1GB (1x1GB) Single Rank x8 PC3-10600 (DDR3-1333) Unbuffered CAS-9 Memory Kit	500668-B21
HP 2GB (1x2GB) Dual Rank x8 PC3-10600 (DDR3-1333) Unbuffered CAS-9 Memory Kit	500670-B21
HP 4GB (1x4GB) Dual Rank x8 PC3-10600 (DDR3-1333) Unbuffered CAS-9 Memory Kit	500672-B21
HP 4GB (1x4GB) Dual Rank x8 PC3L-10600 (DDR3-1333) Unbuffered CAS-9 Low Power Memory Kit	619488-B21

NOTE: Depending on the memory configuration and processor model the memory speed may run at 1066MHz or 800MHz. See the Online Memory Configuration Tool for details: <http://www.hp.com/go/ddr3memory-configurator>.

NOTE: Kits described as LP include Low Power DIMMs. For more information on ProLiant Energy Efficient Features, see: www.hp.com/go/proliant-energy-efficient.

NOTE: PC3L is a low voltage memory

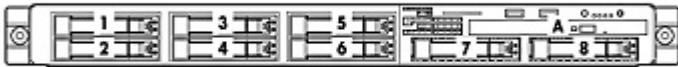
Storage

1-4 Four SATA or SAS drive bays



A Optical Drive Bay: Optional 9.5mm DVD-ROM, or DVD-RW drive

1-8 Eight Hot-plug SATA/SAS hard drive bays



A Optional 9.5mm DVD-ROM, or DVD-RW drive

Drive Support

	Quantity Supported	Position Supported	Controller
Removable Media			
HP 9.5mm SATA DVD-ROM Optical Drive	Up to 1	A	HP embedded SATA Controller
HP 9.5mm SATA DVD RW Optical Drive	Up to 1	A	HP embedded SATA Controller

Hard Drives

NOTE: The components of a storage subsystem (e.g. the drive, the HBA/controller, firmware, and the server backplane) should operate at the same data transfer rate or the system bandwidth will be negotiated down to an acceptable level for all components.

NOTE: Hard drives have either a one year or three year warranty; refer to the specific hard drive QuickSpecs for details.

SAS Hot Plug SFF (2.5-inch) Enterprise (ENT) Drives

	Quantity Supported	Position Supported	Controller
900GB 6G SAS 10K	Up to 8	1-8	HP Smart Array P410/256 MB Controller
600GB 6G SAS 10K			HP Smart Array P410/512 MB with BBWC Controller
450GB 6G SAS 10K			
300GB 6G SAS 10K			
300GB 6G SAS 15K			
146GB 6G SAS 15K			
72GB 6G SAS 15K			

Storage

SAS Hot Plug LFF (3.5-inch) Enterprise (ENT) Drives

	Quantity Supported	Position Supported	Controller
600GB 6G SAS 15K	Up to 4	1-4	HP Smart Array P212/Zero Memory Controller
450GB 6G SAS 15K			HP Smart Array P212/256 MB Controller
300GB 6G SAS 15K			HP Smart Array P410/256 MB Controller
			HP Smart Array P410/512 MB with BBWC Controller

SAS Hot Plug SFF (2.5-inch) Midline (MDL) Drives

	Quantity Supported	Position Supported	Controller
1TB 6G SAS 7.2K	Up to 8	1-8	HP Smart Array P410/256 MB Controller
500GB 7.2K SFF			HP Smart Array P410/512 MB with BBWC Controller

SAS Hot Plug LFF (3.5-inch) Midline (MDL) Drives

	Quantity Supported	Position Supported	Controller
3TB 6G SAS 7.2K	Up to 4	1-4	HP Smart Array P212/Zero Memory Controller
2TB 6G SAS 7.2K			HP Smart Array P212/256 MB Controller
1TB 6G SAS 7.2K			HP Smart Array P410/256 MB Controller
1TB 3G SAS 7.2K			HP Smart Array P410/512 MB with BBWC Controller
750GB 3G SAS 7.2K			

SATA Hot Plug SFF (2.5-inch) Midline (MDL) Drives

	Quantity Supported	Position Supported	Controller
1TB 3G SATA 7.2K	Up to 8	1-8	HP Smart Array P410/256 MB Controller
500GB 3G SATA 7.2K			HP Smart Array P410/512 MB with BBWC Controller

SATA Non-Hot Plug LFF (3.5-inch) Midline (MDL) Drives

	Quantity Supported	Position Supported	Controller
3TB 3G SATA 7.2K	Up to 4	1-4	HP Smart Array B110i SATA RAID Controller with RAID 0/1/1+0 support
2TB 3G SATA 7.2K			HP Smart Array P212/Zero Memory Controller
1TB 3G SATA 7.2K			HP Smart Array P212/256 MB Controller
500GB 3G SATA 7.2K			HP Smart Array P410/256 MB Controller
			HP Smart Array P410/512 MB with BBWC Controller

SATA Hot Plug LFF (3.5-inch) Entry (ETY) Drives

	Quantity Supported	Position Supported	Controller
--	--------------------	--------------------	------------

Storage

250GB 3G SATA 7.2K	Up to 4	1-4	HP Smart Array B110i SATA RAID Controller with RAID 0/1/1+0 support HP Smart Array P212/Zero Memory Controller HP Smart Array P212/256 MB Controller HP Smart Array P410/256 MB Controller HP Smart Array P410/512 MB with BBWC Controller
--------------------	---------	-----	--

SATA Hot Plug 2.5" Enterprise Mainstream Solid State Drives

NOTE: SSD drives requires SFF drive cage.

	Quantity Supported	Position Supported	Controller
400GB 3.0G SATA	8	1-8	HP Smart Array P410/256 MB Controller
200GB 3.0G SATA			HP Smart Array P410/512 MB with BBWC Controller
100GB 3.0G SATA			

SATA Hot Plug 3.5" Midline (MDL) Solid State Drives

	Quantity Supported	Position Supported	Controller
400GB 3.0G SATA	4	1-4	HP Smart Array P212/Zero Memory Controller
200GB 3.0G SATA			HP Smart Array P212/256 MB Controller
100GB 3.0G SATA			HP Smart Array P410/256 MB Controller HP Smart Array P410/512 MB with BBWC Controller

6G SAS Hot Plug Enterprise Performance Solid State Drives

	Quantity Supported	Position Supported	Controller
200GB 6G SAS SLC SFF	Up to 8	1-8	HP Smart Array P212/Zero Memory Controller
400GB 6G SAS SLC SFF			HP Smart Array P212/256 MB Controller HP Smart Array P410/256 MB Controller HP Smart Array P410/512 MB with BBWC Controller

6G SAS Hot Plug Enterprise Mainstream Solid State Drives

	Quantity Supported	Position Supported	Controller
800GB 6G SAS MLC SFF	Up to 8	1-8	HP Smart Array P212/Zero Memory Controller
400GB 6G SAS MLC SFF			HP Smart Array P212/256 MB Controller
200GB 6G SAS MLC SFF			HP Smart Array P410/256 MB Controller HP Smart Array P410/512 MB with BBWC Controller

Storage

External Storage

	Quantity Supported	Position Supported	Host Controller or Adapter
D2600 Disk Enclosure	Up to 4 Up to 8	External	HP Smart Array P212/256 MB Controller
			HP Smart Array P411/256 MB Controller
			HP Smart Array P411/512 MB BBWC Controller
			HP Smart Array P411/1G FBWC Controller
			HP Smart Array P812/1G Flash Backed Cache Controller
D2700 Disk Enclosure	Up to 2 Up to 4	External	HP Smart Array P212/256 MB Controller
			HP Smart Array P411/256 MB Controller
			HP Smart Array P411/512 MB BBWC Controller
			HP Smart Array P411/1G FBWC Controller
			HP Smart Array P812/1G Flash Backed Cache Controller

Maximum Storage Capacity (SAS drives)

Internal	12TB (4 x 3TB)
External	128TB (1 x (16x8 x 1TB))
Total	140TB

NOTE: In order to implement integrated SATA RAID with Smart Start 8.20 on Windows 2003, the use of a floppy drive is necessary.

Maximum Storage Capacity (SATA Drives)

Internal	12TB (4 x 3TB)
External	128TB (1 x (16+8) x 1TB))
Total	140TB

Tape and Disk Backup

NOTE: For the complete range of tape drives, autoloaders, libraries and media, including the internal fitting models, see: <http://www.hp.com/go/tape>. For the complete range of D2D Backup Systems see: <http://www.hp.com/go/d2d>. For the complete range of RDX drives and media see: <http://www.hp.com/go/rdx>. For hardware and software compatibility of HP disk and tape backup products see: <http://www.hp.com/storage/SPOCK>.

	Position Supported	Controller	Controller Part Number
HP SCSI Tape Drives	External	HP SC11Xe Ultra320 Single Channel/ PCIe x4 SCSI Host Bus Adapter	412911-B21
LTO-1 Ultrium 232			
LTO-2 Ultrium 448			
LTO-3 Ultrium 920			
LTO-3 Ultrium 960			
LTO4 Ultrium 1760			
LTO-4 Ultrium 1840			
DAT 40			
DAT 72			
DAT 160			
1U Rack-Mount Kit			

NOTE: Please check the full compatibility information at: <http://www.hp.com/storage/SPOCK>

Storage

3U Rack-Mount Kit

<p>HP USB Tape Drives DAT 40 DAT 72 DAT 160 DAT 320 1U USB Rack-Mount Kit</p>	<p>External</p>	<p>USB 2.0 Port</p>	<p>N/A</p>
---	-----------------	---------------------	------------

<p>HP SAS Tape Drives DAT 160 DAT 320 LTO-2 Ultrium 448 LTO-3 Ultrium 920 LTO-4 Ultrium 1760 LTO-4 Ultrium 1840 LTO-5 Ultrium 3000 LTO-5 Ultrium 3280 1U Rack-Mount Kit 3U Rack-Mount Kit</p>	<p>External</p>	<p>HP Smart Array P212/ZM 1-ports Int/1-ports Ext PCIe x8 SAS Controller</p> <p>NOTE: Please check the full compatibility information at: http://www.hp.com/storage/SPOCK</p>	<p>462828-B21</p>
--	-----------------	---	-------------------

<p>HP SCSI Tape Autoloaders DAT 72x10 Autoloader 1/8 G2 Autoloader</p>	<p>External</p>	<p>HP SC11Xe Ultra320 Single Channel/ PCIe x4 SCSI Host Bus Adapter</p> <p>NOTE: Please check the full compatibility information at: http://www.hp.com/storage/SPOCK</p>	<p>412911-B21</p>
---	-----------------	--	-------------------

<p>HP SCSI Tape Libraries, External MSL2024 MSL4048 MSL8096 MSL6000</p>	<p>External</p>	<p>HP U320e SCSI Dual Channel Host Bus Adapter</p> <p>NOTE: Please check the full compatibility information at: http://www.hp.com/storage/SPOCK</p>	<p>AH627A</p>
--	-----------------	---	---------------

<p>HP SAS Tape Autoloaders and Libraries 1/8 G2 Autoloader MSL2024 MSL4048 MSL8096</p>	<p>External</p>	<p>HP Smart Array P212/ZM 1-ports Int/1-ports Ext PCIe x8 SAS Controller</p> <p>NOTE: Please check the full compatibility information at: http://www.hp.com/storage/SPOCK</p>	<p>462828-B21</p>
---	-----------------	---	-------------------

<p>HP Fibre Channel Tape Libraries MSL2024 MSL4048 MSL8096 MSL6000</p>	<p>External</p>	<p>Please consult the EBS connectivity matrix at: http://www.hp.com/go/ebs for connectivity information and the supported Fibre Channel HBAs shown in this QuickSpecs.</p>	<p>N/A</p>
---	-----------------	--	------------

<p>HP USB RDX Removable</p>	<p>External</p>	<p>USB 2.0 Port</p>	<p>N/A</p>
------------------------------------	-----------------	---------------------	------------

Storage

Disk Backup System

RDX160
RDX320
RDX500
RDX750
RDX1TB

HP D2D Backup Systems, iSCSI

D2D2500i
D2D4000i

External

Embedded Network Controller. If the server requires a hardware iSCSI initiator, the QLogic QLA4050 Host Bus Adapter is recommended.

N/A

HP D2D Backup Systems, Fibre Channel

D2D4000fc

External

Direct server attach is not supported, requires connection via SAN fabric. See: <http://www.hp.com/storage/SPOCK>

N/A

Power Specifications

HP 500W Factory Integrated Power Supply Kit with Backplane							
Part Number	537150-B21						
Input Voltage Range (Vrms)	100 to 240						
Frequency Range (Nominal) (Hz)	47/63						
Nominal Input Voltage (Vrms)	100	120	200	220	230	240	
Maximum Rated Output Wattage	500	500	500	500	500	500	
Nominal Input Current (A rms)	5.74	4.99	2.86	2.58	2.46	2.36	
Max Rated Input Wattage Rating (Watts)	568	568	562	556	556	556	
Max. Rated VA (Volt-Amp)	574	574	573	567	567	567	
Efficiency (%) at Max. Rated Output Wattage	88	88	89	90	90	90	
Power Factor	0.99	0.99	0.98	0.98	0.98	0.98	
Leakage Current (mA)	0.42	0.50	0.81	0.91	0.95	1.00	
Max. Inrush Current (A peak)	30						
Max. Inrush Current duration (mS)	20						
Maximum British Thermal Unit Rating (BTU-Hr)							

HP 460W Common Slot Gold Hot Plug Power Supply Kit							
Part Number	503296-B21						
Input Voltage Range (V rms)	100 to 240						
Frequency Range (Nominal) (Hz)	50/60						
Nominal Input Voltage (Vrms)	100	120	200	208	220	230	240
Maximum Rated Output Wattage Rating	460	460	460	460	460	460	460
Nominal Input Current (A rms)	5.5	4.5	2.6	2.5	2.4	2.3	2.2
Maximum Rated Input Wattage Rating (Watts)	526	520	505	505	503	503	503
Maximum Rated VA (Volt-Amp)	548	542	527	527	524	524	524
Efficiency (%)	87.5	88.5	91	91	91.5	91.5	91.5
Power Factor	0.97						
Leakage Current (mA)	0.42	0.50	0.83	0.87	0.92	0.96	1.00
Maximum Inrush Current (A peak)	30						
Maximum Inrush Current duration (mS)	20						
Maximum British Thermal Unit Rating (BTU-Hr)	1794	1773	1725	1725	1715	1715	1715

Power Specifications

HP 400W Factory Integrated Power Supply Kit							
Part Number	515739-B21						
Input Voltage Range (Vrms)	100 to 240						
Frequency Range (Nominal) (Hz)	50/60						
Nominal Input Voltage (Vrms)	100	120	200	208	220	230	240
Maximum Rated Output Wattage	400	400	400	400	400	400	400
Nominal Input Current (A rms)	5.5	5.0	2.5	2.4	2.3	2.2	2.1
Max Rated Input Wattage Rating (Watts)	510	500	480	480	480	480	480
Max. Rated VA (Volt-Amp)	520	520	500	500	500	500	500
Efficiency (%) at Max. Rated Output Wattage	83.0	84.0	86.0	86.0	87.0	87.0	87.0
Power Factor	0.97						
Leakage Current (mA)	0.75	0.75	0.85	0.90	0.95	0.95	1.00
Max. Inrush Current (A peak)	35						
Max. Inrush Current duration (mS)	20						
Maximum British Thermal Unit Rating (BTU-Hr)	1739	1705	1636	1636	1636	1636	1636

HP 365W Hot Plug Redundant Power Supply Kit with Backplane							
Part Number	532092-B21						
Input Voltage Range (Vrms)	100 to 240						
Frequency Range (Nominal) (Hz)	50/60						
Nominal Input Voltage (Vrms)	100	120	200	208	220	230	240
Maximum Rated Output Wattage	320	320	360	360	360	360	360
Nominal Input Current (A rms)	4.15	3.41	2.23	2.16	2.03	1.94	1.86
Max Rated Input Wattage Rating (Watts)	412	406	445	445	444	443	443
Max. Rated VA (Volt-Amp)	413	407	447	447	446	446	445
Efficiency (%) at Max. Rated Output Wattage	77.4	78.5	80.5	80.6	80.7	80.8	81
Power Factor	0.99						
Leakage Current (mA)	0.75	0.75	0.85	0.90	0.95	0.95	1.00
Max. Inrush Current (A peak)	35						
Max. Inrush Current duration (mS)	20						
Maximum British Thermal Unit Rating (BTU-Hr)	1354	1334	1462	1462	1459	1456	1456

NOTE: To review typical system power ratings use the Active Answers Power Advisor which is available via the online tool located at URL: www.hp.com/go/proliant-energy-efficient or www.hp.com/go/hppoweradvisor.

Technical Specifications

System Unit	Dimensions (H x W x D) (with bezel)	1.70 x 17.64 x 26.85 in (4.32 x 44.80 x 68.19 cm)	
	Weight (approximate)	Maximum (four hard drives, power supply, and processor installed)	29.95 lb (13.6kg)
		Minimum (one hard drive, power supply, and processor installed)	25.52lb (11.6kg)
	Input Requirements (per power supply)	Range Line Voltage	90 - 132 VAC, 180 - 264 VAC
		Rated Input Current	6 A (at 100 VAC), 3 A (at 200 VAC)
		Rated Input Frequency	47 to 63 Hz
		Rated Input Power	486 W (at 100 VAC), 479 W (at 200 VAC)
	BTU Rating	Maximum	1836 BTU/hr (at 100 VAC), 1706 BTU/hr (at 200 VAC)
	Power Specifications	<p>NOTE: To review typical system power ratings use the HP Power Advisor which is available online located at url: www.hp.com/go/proliant-energy-efficient or www.hp.com/go/hppoweradvisor</p> <ul style="list-style-type: none"> - Click on the system of interest. Example: DL320 G6 - Follow the instructions of the next screens. 	
	Power Supply Output (per power supply)	Rated Steady-State Power	400 W (at 100 VAC), 400 W (at 200 VAC)
		Maximum Peak Power	400 W (at 100 VAC), 400 W (at 200 VAC)
	System Inlet Temperature	Operating	10° to 35°C (50° to 95°F) at sea level with an altitude derating of 1.0°C per every 304.8 m (1.8°F per every 1000 ft) above sea level to a maximum of 3048 m (10,000 ft), no direct sustained sunlight. Maximum rate of change is 10°C/hr (18°F/hr). The upper limit may be limited by the type and number of options installed. System performance may be reduced if operating with a fan fault or above 30°C (86°F).
		Non-operating	-30° to 60°C (-22° to 140°F). Maximum rate of change is 20°C/hr (36°F/hr).
	Relative Humidity (non-condensing)	Operating	10 to 90% relative humidity (Rh), 28°C (82.4°F) maximum wet bulb temperature, non-condensing.
		Non-operating	5 to 95% relative humidity (Rh), 38.7°C (101.7°F) maximum wet bulb temperature, non-condensing.

Technical Specifications

Altitude	Operating	3048 m (10,000 ft). This value may be limited by the type and number of options installed. Maximum allowable altitude change rate is 457 m/min (1500 ft/min).
	Non-operating	9144 m (30,000 ft). Maximum allowable altitude change rate is 457 m/min (1500 ft/min).
Acoustic Noise	Listed are the declared A-Weighted sound power levels (LWAd) and declared average bystander position A-Weighted sound pressure levels (LpAm) when the product is operating in a 23°C ambient environment. Noise emissions were measured in accordance with ISO 7779 (ECMA 74) and declared in accordance with ISO 9296 (ECMA 109).	
	Idle	
	LWAd	6.25 B
	LpAm	51.4dBA
Emissions Classification (EMC)	Operating	
	LWAd	6.25 B
	LpAm	51.4 dBA
	FCC Rating	Class A
Normative Standards	CISPR 22; EN55022; EN55024; FCC CFR 47, Pt 15; ICES-003; CNS13438; GB9254; K22;K24; EN 61000-3-2; EN 61000-3-3; EN 60950-1; IEC 60950-1	

NOTE: Product conformance to cited product specifications is based on sample (type) testing, evaluation, or assessment. This product or family of products is eligible to bear the appropriate compliance logos and statements.

Power Supply	Input voltage specifications	Rated input voltage	100 VAC to 240 VAC
	Input Specifications	Rated input line	90 VAC to 264VAC
		Frequency range	47 to 63 Hz
		Rated input power	@ 115V input, Rated input power = 486W (assume output wattage=450W) @ 230V input, Rated input power = 479W (assume output wattage=450W)
		Rated input current	6 A, 3 A (110 V, 220 V)
		Steady state power	420W (rated)
	BTU Rating	1710 BTU/hr	
	Ambient temperature range	Operating	50° to 118° F (10° to 48° C)
		Non-operating	-40° to 158° F (-40° to 70° C)
	Relative humidity (non-condensing)	Operating	55% to 85%
		Non-operating	5% to 95%
	Dielectric voltage withstand	Input to output	1800 VAC/minute
		Input to ground	1800 VAC/minute

Technical Specifications

Maximum Wet Bulb Temperature 106.3° F (41.3° C)

Integrated Serial ATA Controller	Simultaneous drive transfer channels	4 channels
	Transfer rate synchronous (maximum theoretical)	150 MB/s per channel
	Data transfer method	HP Smart Array B110i SATA RAID Controller (non-RAID mode) HP Smart Array B110i SATA RAID Controller (RAID Mode)
	Drive support	Serial ATA
	Data transfer modes	Legacy Mode Combined Mode
	Protocol	Serial ATA
	Feature	NCQ (Native Command Queuing); AHCI (Advanced Host Controller Interface)
	RAID levels supported	0, 1, 1+0
	RAID Features	Supports multiple logical volumes Setup through ROM based Array Configuration Utility Installation scripting support NOTE: This controller does not support Hot Plug functions or LED functions.
	RAID OS Support	Microsoft Windows Server 2003/2008 NOTE: In order to implement integrated SATA RAID with Smart Start 8.20 on Windows 2003/2008, the use of a floppy drive is necessary. Linux (Red Hat, SuSE, UnitedLinux)

Embedded NC326i Dual Port Gigabit Server Adapter	Network Interface	10Base-T/ 100Base-TX/ 1000Base-TX	
	Compatibility	IEEE 802.3 10Base-T IEEE 802.3ab 1000Base-T IEEE 802.3u 100Base-TX	
	Data Transfer Method Controller	Four lane (x4), 100MHz PCI Express Reference Clock BCM5715	
	Network Transfer Rate	10Base-T (Half-Duplex)	10 Mb/s
		10Base-T (Full-Duplex)	20 Mb/s
		100Base-TX (Half-Duplex)	100 Mb/s
		100Base-TX (Full-Duplex)	200 Mb/s
		1000Base-TX (Half and Full-Duplex)	2000 Mb/s
	Connector	RJ-45	
	Cable Support	10Base-T	Categories 3, 4 or 5 UTP; up to 328 ft (100 m)
10/100/1000Base-TX		Category 5 UTP; up to 328 ft (100 m)	

Technical Specifications

**Environment-friendly
Products and Approach****End-of-life Management
and Recycling**

Hewlett-Packard offers end-of-life HP product return, trade-in, and recycling programs in many geographic areas. For trade-in information, please go to: <http://www.hp.com/go/green>. To recycle your product, please go to: <http://www.hp.com/go/green> or contact your nearest HP sales office. Products returned to HP will be recycled, recovered or disposed of in a responsible manner.

The EU WEEE directive (2002/95/EC) requires manufacturers to provide treatment information for each product type for use by treatment facilities. This information (product disassembly instructions) is posted on the Hewlett Packard web site at: <http://www.hp.com/go/green>. These instructions may be used by recyclers and other WEEE treatment facilities as well as HP OEM customers who integrate and re-sell HP equipment.

© Copyright 2013 Hewlett-Packard Development Company, L.P.

The information contained herein is subject to change without notice.

Microsoft and Windows NT are US registered trademarks of Microsoft Corporation.

Intel, the Intel logo, Xeon and Xeon Inside are trademarks of Intel Corporation in the U.S. and other countries.

The only warranties for HP products and services are set forth in the express warranty statements accompanying such products and services. Nothing herein should be construed as constituting an additional warranty. HP shall not be liable for technical or editorial errors or omissions contained herein.

For hard drives, 1GB = 1 billion bytes. Actual formatted capacity is less.