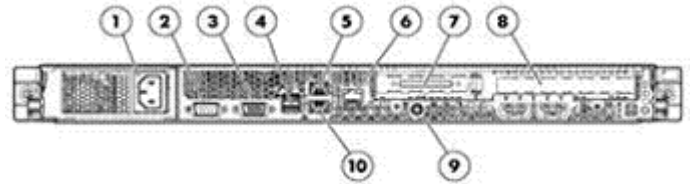
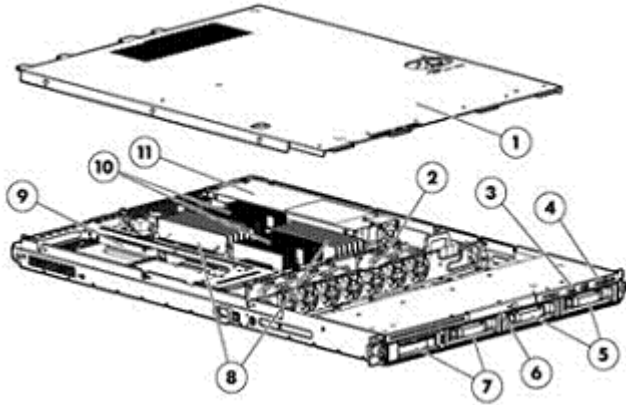


### Overview

The HP ProLiant DL160se G6 server is a high performance, low cost, ultra-dense, dual processor capable, 1U rack server for I/O intense High Performance Computing (HPC) environments, Web 2.0, hosting, and general heterogeneous server deployments requiring multiple PCI-e card attach.

#### Hot Plug SAS/SATA and Non-Hot Plug SATA Models



#### Front View:

1. Access panel
2. System fans
3. Two USB ports
4. Power on/off & system LEDs
5. Optional 3<sup>rd</sup> and 4<sup>th</sup> 3.5" Non-Hot plug SATA or hot plug SAS/SATA hard drive bays
6. Optional DVD-RW or DVD-ROM drive
7. Standard 1<sup>st</sup> and 2<sup>nd</sup> 3.5" Non-Hot plug SATA or hot plug SAS/SATA hard drive bays
8. Twelve DIMM slots: DDR3 Registered (RDIMM) or Unbuffered (UDIMM) memory
9. Expansion Slots:  
Non-Hot Plug Models - One full-length/full height x16 PCI-Express Gen2 slot and One Low Profile x16 PCI-Express Gen2 slot

Hot Plug Models - One available Full-length/full height x16 PCI-Express Gen2 slot, Low Profile PCI-Express Gen2 slot (used for storage controller)

10. Quad-Core Intel® Xeon® 5500 series processors (supports up to two)
11. Power supply (500 Watts - standard, other PS options available)

#### Rear View:

1. Power Supply Cable Socket
2. Video Port
3. Serial Port
4. Rear USB ports (2)
5. One GbE LAN ports for NIC 2 (RJ-45)
6. Optional LO100i 10/100 Mbps LAN port for IPMI management (RJ-45)
7. Low-Profile x16 PCI-Express Gen2 slot
8. Full-height PCI-Express x16
9. UID - Rear Unit Identification LED
10. One GbE LAN ports for NIC 1 (RJ-45)

### What's New

- Support for HP 1TB 6G SAS 7.2K rpm SFF (2.5-inch) Hot plug Midline Hard Drive
- Support for HP 1TB 3G SATA 7.2K rpm SFF (2.5-inch) Hot plug Midline 1yr Warranty Hard Drive



### Standard Features

**NOTE:** For the Standard Features shipped in the "Factory Integrated Models", please see the "Configuration Information - Factory Integrated Models" section.

#### Processor

One of the following depending on Model

Intel® Xeon® Processor X5570 (2.93 GHz, 8MB L3 Cache, 95W, DDR3-1333, HT, Turbo 2/2/3/3)

**NOTE:** Available through Configure To Order only. See Factory Integration Models section for more details.

Intel® Xeon® Processor X5560 (2.80 GHz, 8MB L3 Cache, 95W, DDR3-1333, HT, Turbo 2/2/3/3)

**NOTE:** Available through Configure To Order only. See Factory Integration Models section for more details.

Intel® Xeon® Processor X5550 (2.66 GHz, 8MB L3 Cache, 95W, DDR3-1333, HT, Turbo 2/2/3/3)

**NOTE:** Available through Configure To Order only. See Factory Integration Models section for more details.

Intel® Xeon® Processor E5540 (2.53 GHz, 8MB L3 Cache, 80W, DDR3-1066, HT, Turbo 1/1/2/2)

**NOTE:** Available through Configure To Order only. See Factory Integration Models section for more details.

Intel® Xeon® Processor E5530 (2.40 GHz, 8MB L3 Cache, 80W, DDR3-1066, HT, Turbo 1/1/2/2)

**NOTE:** Available through Configure To Order only. See Factory Integration Models section for more details.

Intel® Xeon® Processor E5520 (2.26 GHz, 8MB L3 Cache, 80W, DDR3-1066, HT, Turbo 1/1/2/2)

**NOTE:** Available through Configure To Order only. See Factory Integration Models section for more details.

Intel® Xeon® Processor L5520 (2.26 GHz, 8MB L3 Cache, 60W, DDR3-1066, HT, Turbo 1/1/2/2)

**NOTE:** Available through Configure To Order only. See Factory Integration Models section for more details.

Intel® Xeon® Processor E5504 (2.00 GHz, 4MB L3 Cache, 80W, DDR3-800)

**NOTE:** Available through Configure To Order only. See Factory Integration Models section for more details.

**NOTE:** HT indicates that the processor model supports Intel® Hyper-Threading Technology.

**NOTE:** Turbo indicates the maximum potential frequency increment when using Intel® Turbo Boost Technology, with 4, 3, 2, and 1 cores active.

**NOTE:** DDR3 speed is the maximum memory speed of the processor. Actual memory speed may depend on the quantity and type of DIMMs installed.

**NOTE:** For the Intel 5500 Series, the letter preceding the model number indicates the performance/wattage of the processor. "X" denotes High Performance/Wattage; "E" denotes Enterprise Performance/Wattage (Mainstream); and "L" denotes Lower Wattage.

**NOTE:** Supports up to two Intel® Quad-Core 5500 sequence processors.

---

Cache Memory	4 MB Level 3 cache (E5504) 8 MB Level 3 cache (standard)
--------------	---

---

Chipset	Intel® 5520 Chipset
---------	---------------------

---

Upgradeability	Upgradeable to two processors
----------------	-------------------------------

---



### Standard Features

**Memory Protection**      Advanced memory protection

<b>Memory</b>	Type	DDR3 Registered (RDIMM) or Unbuffered (UDIMM)		
	DIMM Slots	Total 12 DIMM slots		
	Standard	4 GB	(2 x 2 GB) UDIMMs	
		6 GB	(3 x 2 GB) UDIMMs	
		12 GB	(6 x 2 GB) RDIMMs	
	Maximum (RDIMM)	192 GB	(12 x 16 GB)	
	Maximum (UDIMM)	48 GB	(12 x 4 GB)	

**NOTE:** Depending on the memory configuration and processor model, the memory speed may run at 1333MHz, 1066MHz, or 800MHz. Please see the Online Memory Configuration Tool at: [www.hp.com/go/ddr3memory-configurator](http://www.hp.com/go/ddr3memory-configurator).

**Network Controller**      HP NC362i Integrated Dual Port Gigabit Server Adapter

Expansion Slots #	Technology	Bus Width	Connector Width*	Bus Number*	Device No.**	Form Factor	Notes
1	PCI-Express 2.0	x16	x16	1	0	Full length, full height	3.3 volts
1	PCI-X***	64-bit	N/A	5	1	Full length, full height	3.3 volts
2	PCI-Express 2.0	x16	x16	6	3	Low Profile	3.3 volts

**NOTE:** All slots can accept universal keyed PCI cards

\* Default bus assignment. Inserting cards with PCI bridges may alter the actual bus assignment number.

\*\* Slots are enumerated differently based on OS. MS OS's enumerate from lowest to highest Device ID by bus (starting with the lowest bus).

\*\*\* PCI-X bus speed will be 133MHz when only one PCI-X card is installed. It will be 100MHz when both slots have PCI-X cards installed.



### Standard Features

<b>Storage Controller</b>	Non-Hot Plug SATA Models	<p>HP Embedded SATA RAID Controller (integrated into the south-bridge)  <b>NOTE:</b> Transfer rate: up to 3 Gb/s SATA</p> <p>HP Smart Array B110i SATA RAID supporting SW RAID 0,1,10  <b>NOTE:</b> To enable RAID on Embedded SATA, use the HP Smart Array B110i SATA Raid controller, To enable use of the B110i, enter the ROM based setup utility(RBSU). The option for enabling RAID can be found in the Advanced section of the RBSU.</p>
	Hot Plug SATA/SAS Models	<p>HP Smart Array P212 RAID Controller (RAID 0/1/1+0)            HP Smart Array P212 Controller 256 BBWC (RAID/0/1/1+0/5/5+0)  <b>NOTE:</b> Transfer rate: up to 3 Gb/s SATA, up to 3 Gb/s SAS.</p> <p><b>NOTE:</b> A diskette drive or virtual FDD using LO100 Advanced Pack is needed to install storage controller drivers during a Windows operating system installation from a CD.  <b>NOTE:</b> Addition of the battery backed cache upgrade enables BBWC, RAID 5, 5+0, array expansion, logical drive extension, RAID migration, and stripe size migration.  <b>NOTE:</b> RAID 6 functionality requires the addition of Smart Array Advanced Pack (P/N: 516471-B21).  <b>NOTE:</b> The addition of a Smart Array hardware based storage controller to a Non-Hot Plug SATA Model is only supported for external storage.</p>

<b>Internal Storage Devices</b>	<b>Diskette Drives</b>	Via USB only
	<b>Optical Drives</b>	<p>Optional HP 9.5mm SATA DVD-ROM Optical Drive</p> <p>Optional HP 9.5mm SATA DVD RW Optical Drive</p>
	<b>Drive Bays</b>	<p>Up to 4 Non-hot plug SATA 3.5" drives</p> <p>Up to 4 Hot plug SAS/SATA 3.5" drives</p>

<b>Maximum Internal Storage</b>	Non-Hot Plug SATA	8.0TB	4 x 2TB
	Hot Plug SATA	8.0TB	4 x 2TB
	Hot Plug SAS	8.0TB	4 x 2TB
	Hot Plug SFF SAS	8.0 TB	8 x 1.0TB
	Hot Plug SFF SATA	8.0 TB	8 x 1.0TB

**NOTE:** Installation of the Hot Plug Backplane 1U 2S Kit (512181-B21) is required if ordering third or fourth Hard Drives for Hot Plug models only.

**NOTE:** Installation of the Hot Plug 8 Small Form Factor HDD Cage & Backplane G6 FIO (515938-B21) is required if ordering small form factor hard drives for Hot Plug models only.



### Standard Features

<b>Interfaces</b>	Parallel	None
	Network RJ-45(Ethernet)	2 10/100/1000 NIC ports (plus 1 optional dedicated port for the HP ProLiant Lights Out 100i Remote Management)
	Serial	1
	Pointing Device (Mouse)	0 (via USB only)
	Graphics	1
	Keyboard	0 (via USB only)
	USB	5 (two front, one internal, two rear)
		<b>NOTE:</b> In order to connect a USB device internally, the internal USB Cable G6 Kit must be used (P/N 536769-B21) <b>NOTE:</b> Please see the following URL for additional information regarding USB support: <a href="http://h18004.www1.hp.com/products/servers/platforms/usb-support.html">http://h18004.www1.hp.com/products/servers/platforms/usb-support.html</a> .

---

<b>Industry Standard Compliance</b>	ACPI V2.0 Compliant
	PCI 2.2 Compliant
	PXE Support
	WOL Support
	Microsoft® Logo certifications
	IPMI 2.0, SMASH CLP compliant

---

<b>Server Power Cords</b>	One 6' Highline (IEC-IEC) power cord ships standard <b>NOTE:</b> HP ProLiant DL servers no longer ship standard with NEMA power cords (163719-002) that allow connection to 110V US wall outlets in a home or office. ProLiant DL servers are primarily connected to PDU's in data center racks so they now ship standard with only a PDU power cord (416151-B21). If a user wishes to power a ProLiant DL server using a 110V receptacle (NEMA-15), the NEMA power cord (227099-001) must be ordered separately.
	If customers require a local power cord, they can check the power cord matrix for the appropriate cord. Please see the following power cord matrix: <a href="http://www.hp.com/go/powercordmatrix">http://www.hp.com/go/powercordmatrix</a> .

---

<b>Power Supply</b>	500 Watts, auto-switching, high efficiency, PFC (Power Factor Correcting) <b>NOTE:</b> Factory upgradeable to high-efficiency (HE) hot plug common slot redundant power supply.
---------------------	--

---

<b>System Fans</b>	5 system fans ship standard; Non-hot plug, Non-redundant <b>NOTE:</b> The HP Redundant Fan 40x56 1U seG6 Kit (P/N 536576-B21) can be ordered as a factory upgrade for N+1 fan redundancy.
--------------------	--

---



### Standard Features

#### OS Support

Microsoft Windows Server  
Microsoft Windows Server Hyper V  
Red Hat Enterprise Linux (RHEL)  
SUSE Linux Enterprise Server (SLES)  
Solaris 10 for x86/x64 based Systems  
VMware  
Citrix XenServer

**NOTE:** For more information on HP's Certified and Supported ProLiant Servers for OS and Virtualization Software and latest listing of software drivers available for your server, please visit our Support Matrix at: <http://www.hp.com/go/supportos> and our driver download page <http://www.hp.com/support/DL160G6>.

#### Graphics

32MB shared supporting all display resolutions up to 1600x1200 16bpp@75Hz  
**NOTE:** 8MB is dedicated to video memory.

#### Form Factor

Rack (1U), (1.75 in/4.45 cm)

#### Embedded Manageability HP LO100i

HP LO100i Advanced Licenses for Virtual KVM and Virtual Media.

#### Features:

- Embedded IPMI standard reporting
- System event log access
- Remote Serial console (serial redirection)
- Browser, Telnet access
- SMASH-CLP compliant
- IPMI 2.0 compliant
- Secure Socket Layer (SSL) Encryption
- Secure Shell (SSH) Encryption
- Virtual media (Floppy, CD, USB 2.0) with Advanced License
- Virtual Keyboard, Video, Mouse (KVM) for graphical remote console with Advanced License

**NOTE:** Flexible and volume quantity (AKA) license kits are available for the Lights-Out 100i Advanced Pack licenses as well as Electronic License To Use (E-LTU). AKA Tracking licenses require a 100 unit minimum forecast at initial contract signing. For these additional part numbers, please refer to each software products. QuickSpecs at this link for more information: [www.hp.com/go/lo100](http://www.hp.com/go/lo100).

#### Security

Power-on password  
Setup password  
Diskette boot control  
Secure Sockets Layer (SSL)  
Secure Shell (SSH)



### Standard Features

#### Warranty

This product is covered by a global limited warranty and supported by HP Services and a worldwide network of HP Authorized Channel Partners. Hardware diagnostic support and parts replacement is available for three years from date of purchase. Support for software and initial setup is available for 90 days from date of purchase. Enhancements to warranty services are available through HP Care Pack services or customized service agreements. Hard drives have either a one year or three year warranty; refer to the specific hard drive QuickSpecs for details.

**NOTE:** Server Warranty includes 3 year Next Day Parts replacement, 0-Years Labor, 0-Years Onsite support. Additional information regarding worldwide limited warranty and technical support is available at: <http://h18004.www1.hp.com/products/servers/platforms/warranty/index.html>.



### Optional Features

#### Core Infrastructure Management

HP Insight Control for Linux

HP Insight Control for Linux, as a product option, delivers essential infrastructure management that can help save time and money by making it easy to deploy, monitor, remote control, and optimize your IT infrastructure through a single, simple management console. The Insight Control for Linux suite installs and license software modules that are integrated into HP System Insight Manager.

The HP Insight Control suite for Linux (IC-Linux) serves environments requiring a Linux-based management consoles. See: [www.hp.com/go/ic-linux](http://www.hp.com/go/ic-linux)

HP Insight Control suites include one year of 24 x 7 HP Software Technical Support and Update Service ensuring rapid access to HP support staff and proactive delivery of software updates. For more information about this service, please visit: <http://www.hp.com/services/insight>.

#### High Performance Clusters

HP Cluster Platforms

HP Cluster Platforms are specifically engineered, factory-integrated large-scale ProLiant clusters optimized for High Performance Computing, with a choice of servers, networks and software. Operating system options include specially priced offerings for Red Hat Enterprise Linux and Novell SLES, as well as Microsoft Windows HPC Server. A Cluster Platform Configurator simplifies ordering. <http://www.hp.com/go/clusters>

HP HPC Interconnects

High Performance Computing (HPC) interconnect technologies are available for this server as part of the HP Cluster Platform portfolio. These high-speed InfiniBand and Gigabit interconnects are fully supported by HP when integrated within an HP cluster. Flexible, validated solutions can be defined with the help of configuration tools. <http://www.hp.com/techservers/clusters/ucp/index.html>

HP Cluster Management Utility

HP Cluster Management Utility (CMU) is an HP-licensed and HP-supported suite of tools that are used to manage large-scale Linux ProLiant systems. CMU includes software for the centralized provisioning, management and monitoring of nodes. CMU makes the administration of clusters user friendly, efficient, and effective. <http://www.hp.com/go/cmu>

HP HPC Linux Value Pack

HP HPC Linux Value Pack (Value Pack) is an HP-licensed and HP-supported specially priced software bundle for the development and deployment of applications on HPC Cluster Platforms. Value Pack includes the Platform HPC Enterprise Edition suite of tools including the LSF workload scheduler, the HP-MPI parallelization library. Also included are the HP Unified Parallel C compiler and the HP Shmem library, as well as the execution environments for the libraries and compiler. [HP HPC Linux Value Pack](#)





### Optional Features

#### Factory Express Portfolio for Servers and Storage

HP Factory Express offers configuration, customization, integration and deployment services for HP servers and storage products. Customers can choose how their factory solutions are built, tested, integrated, shipped and deployed.

Factory Express offers service packages for simple configuration, racking, installation, complex configuration and design services as well as individual factory services, such as image loading, asset tagging, and custom packaging. HP products supported through Factory Express include a wide array of servers and storage: HP Integrity, HP ProLiant, HP ProLiant Server Blades, HP BladeSystem, HP 9000 servers as well as the MSAxxxx, VA7xxx, EVA, XP, rackable tape libraries and configurable network switches.

For more information on Factory Express services for your specific server model please contact your sales representative or go to: <http://www.hp.com/go/factory-express>.

---

#### HP Enterprise Configurator

The HP eConfigure Enterprise Configurator now provides factory default racking for our HP hardware portfolio. This approach is aligned with our strategic direction to meet the needs and expectations of our valued customers. If you require "custom" rack configuration, please contact HP's Customer Business Center or an Authorized Partner for assistance. <http://www.hp.com/products/configurator>.



### Service and Support

#### Service and Support

##### **HP Technology Services for Industry Standard Servers and BladeSystem**

Capitalizing on HP ProLiant server and HP BladeSystem capabilities requires a service partner who understands your increasingly complex business technology environment. That's why it makes sense to team up with the people who know HP infrastructure hardware and software best - the experienced professionals at HP Services.

##### **What HP ProLiant and BladeSystem Services can do for you**

HP ProLiant and BladeSystem Services can help you design, deploy, test, integrate, support, and manage IT and infrastructure solutions. This way, HP proposes services solutions that include more than just uplift of base warranty. You can get the support you need by choosing from one of a number of service packaged solutions we have designed to address wider set of customer support needs.

HP Technology Services meets business challenges with services offered in three packages:

##### **Optimized Care Package, Standard Care Package, and Basic Care Package**

Available for each product group. Such packaged solutions enable customers to optimize technology operations, minimize risk and drive better business outcomes with easy-to-buy, easy-to-use scalable support packages for servers, storage, networking and software.

---

#### Optimized Care Package Supports maintaining servers at optimum performance availability

##### **HP ProLiant Server Hardware Installation**

Provides for the basic hardware installation of HP branded servers, storage devices and networking options to assist you in bringing your new hardware into operation in a timely and professional manner. <http://h20195.www2.hp.com/V2/GetPDF.aspx/5981-9356EN>

##### **3-Year HP 6 hour Hardware Support Onsite Call-to-Repair Service**

Provides an IT manager with a team of support specialists who will quickly begin troubleshooting the system to help return the hardware to operating condition within 6 hours of the initial service request to the HP Global Solution Center.

<http://h20195.www2.hp.com/V2/GetPDF.aspx/5981-6636ENN>

**Additional Services:** Software OS (Microsoft, Linux (SUSE/Red Hat) Installation and Start Up and Software Support) plus Microsoft or Linux education courses +30 Proactive Select Credits, Factory Express.



### Service and Support

**Standard Care Package** Package that maintains high level of server availability

**HP ProLiant Server Hardware Installation**

Provides for the basic hardware installation of HP branded servers, storage devices and networking options to assist you in bringing your new hardware into operation in a timely and professional manner. <http://h20195.www2.hp.com/V2/GetPDF.aspx/5981-9356EN>

**3-Year HP 24x7 4 hour Response, Hardware Support Onsite Service**

Provides you with rapid remote support and if required an HP authorized representative who will arrive on site any time and day of the year to begin hardware maintenance service within 4 hours of the service request being logged.

<http://h20195.www2.hp.com/V2/GetPDF.aspx/5982-6547EEE>

**Additional Services:** Software OS (Microsoft, Linux (SUSE/Red Hat) Installation and Start Up and Software Support); +10 Proactive Select Credits, Factory Express.

---

**Basic Care Package** Delivers minimum recommended support service level

**HP ProLiant Server Hardware Installation**

Provides for the basic hardware installation of HP branded servers, storage devices and networking options to assist you in bringing your new hardware into operation in a timely and professional manner. <http://h20195.www2.hp.com/V2/GetPDF.aspx/5981-9356EN>

**3-Year HP 13x5 4 hour Response, Hardware Support Onsite Service**

Delivers increased equipment availability and productivity with rapid remote support and onsite response for your HP server and storage hardware.

<http://h20195.www2.hp.com/V2/GetPDF.aspx/5982-6547EEE>

**Additional Services:** Software OS (Microsoft, Linux (SUSE/Red Hat) Installation and Start Up and Software Support), Factory Express.

---

**Insight Remote Support** The packages include HP Insight Remote Support that uses proven technology to deliver secure, reliable 24x7 remote monitoring, diagnoses, and problem resolution. It is available at no additional cost to all warranty, HP Care Pack Service, and service agreement customers.

---

**For more information** To learn more on HP ProLiant servers and HP BladeSystem servers, please contact your HP sales representative or HP Authorized Channel Partner or visit: <http://www.hp.com/services/proliant>



### Configuration Information - Factory Integrated Models

**NOTE:** This section lists some of the steps required to configure a Factory Integrated Model. To ensure only valid configurations are ordered, HP recommends the use of an HP approved configurator. Contact your local sales representative for additional information.

**NOTE:** Configure-to-order servers must start with a CTO Chassis.

**NOTE:** FIO indicates that this option is a Factory Installable Option.

### Step 1: Base Configuration (choose one of the following configurable models)

#### HP Models

#### Non-Hot Plug SATA Model

**NOTE:** Non-Hot Plug models are not upgradeable to Hot Plug.

**NOTE:** The addition of a Smart Array controller is supported for external storage use only.

HP ProLiant DL160se G6 Non-hot Plug Configure-to-order Rack Server

495958-B21

#### Factory Integrated Model ships with:

HP NC362i Integrated Dual Port Gigabit Server Adapter

One available full-length/full-height PCI-Express x16 Generation 2 slot

One available Low Profile PCI-Express x16 Generation 2 slot

One Highline IEC Power Cord

5 Non-Hot Plug Fans

Rack (1U), (1.75 in / 4.45 cm)

Tool-less Fixed Rails

#### Hot Plug Model

HP ProLiant DL160se G6 Hot Plug Configure-to-order Rack Server

495959-B21

#### Factory Integrated Model ships with:

HP NC362i Integrated Dual Port Gigabit Server Adapter

One available PCI-Express Generation 2 slot:

Slot 1: full-length/full-height

Slot 2: low-profile occupied by controller card

One Highline IEC Power Cord

5 Non-Hot Plug Fans

Rack (1U), (1.75 in / 4.45 cm)

Tool-less Fixed Rails



Configuration Information - Factory Integrated Models

**Step 2: Choose Required Options (only one of the following from each list unless otherwise noted)**

**HP Processors**

**Quad-Core Processors**

**NOTE:** If 2 processors are desired, select one xxxxx-L21 and one xxxxx-B21.

HP DL160 G6 Intel® Xeon® X5570 (2.93GHz/4-core/8MB/95W) FIO Processor Kit	508231-L21
HP DL160 G6 Intel® Xeon® X5560 (2.80GHz/4-core/8MB/95W) FIO Processor Kit	573893-L21
HP DL160 G6 Intel® Xeon® X5550 (2.66GHz/4-core/8MB/95W) FIO Processor Kit	491511-L21
HP DL160 G6 Intel® Xeon® E5540 (2.53GHz/4-core/8MB/80W) FIO Processor Kit	490461-L21
HP DL160 G6 Intel® Xeon® E5530 (2.40GHz/4-core/8MB/80W) FIO Processor Kit	573895-L21
HP DL160 G6 Intel® Xeon® E5520 (2.26GHz/4-core/8MB/80W) FIO Processor Kit	490459-L21
HP DL160 G6 Intel® Xeon® L5520 (2.26GHz/4-core/8MB/60W) FIO Processor Kit	491507-L21
HP DL160 G6 Intel® Xeon® E5504 (2.00GHz/4-core/4MB/80W) FIO Processor Kit	490457-L21

**NOTE:** HT indicates that the processor model supports Intel® Hyper-Threading Technology.

**NOTE:** Turbo indicates the maximum potential frequency increment when using Intel® Turbo Boost Technology, with 4, 3, 2, and 1 cores active.

**NOTE:** DDR3 speed is the maximum memory speed of the processor. Actual memory speed may depend on the quantity and type of DIMMs installed.

**NOTE:** For the Intel 5500 Series, the letter preceding the model number indicates the performance/wattage of the processor. "X" denotes High Performance/Wattage; "E" denotes Enterprise Performance/Wattage (Mainstream); and "L" denotes Lower Wattage.

**HP Memory**

**Registered DIMMs (RDIMMs)**

HP 2GB (1x2GB) Dual Rank x8 PC3-10600 (DDR3-1333) Registered CAS-9 Memory Kit	500656-B21
HP 4GB (1x4GB) Dual Rank x4 PC3-10600 (DDR3-1333) Registered CAS-9 Memory Kit	500658-B21
HP 4GB (1x4GB) Quad Rank x8 PC3-8500 (DDR3-1066) Registered CAS-7 Low Power Memory Kit	500660-B21
HP 4GB (1x4GB) Single Rank x4 PC3-10600 (DDR3-1333) Registered CAS-9 Memory Kit	593339-B21
HP 8GB (1x8GB) Dual Rank x4 PC3-10600 (DDR3-1333) Registered CAS-9 Memory Kit	500662-B21
HP 16GB (1x16GB) Quad Rank x4 PC3-8500 (DDR3-1066) Registered CAS-7 Memory Kit	500666-B21

**Unbuffered with ECC DIMMs (UDIMMs)**

HP 1GB (1x1GB) Single Rank x8 PC3-10600 (DDR3-1333) Unbuffered CAS-9 Memory Kit	500668-B21
HP 2GB (1x2GB) Dual Rank x8 PC3-10600 (DDR3-1333) Unbuffered CAS-9 Memory Kit	500670-B21
HP 4GB (1x4GB) Dual Rank x8 PC3-10600 (DDR3-1333) Unbuffered CAS-9 Memory Kit	500672-B21



### Configuration Information - Factory Integrated Models

**NOTE:** All DDR3 memory option kits consist of one DIMM per kit. For detailed memory configuration rules and guidelines, please use the Online DDR3 Memory Configuration Tool: [www.hp.com/go/ddr3memory-configurator](http://www.hp.com/go/ddr3memory-configurator).

**NOTE:** Kits described as LP include Low Power DIMMs. For more information on ProLiant Energy Efficient Features, see:

<http://h18004.www1.hp.com/products/servers/platforms/energyefficient/>

**NOTE:** There is a maximum support limitation of 8 ranks per memory channel (maximum of 2 quad rank DIMMs per channel)

#### HP Hard Drives

**NOTE:** The components of a storage subsystem (e.g. the drive, the HBA/controller, and the server backplane) should operate at the same data transfer rate or the system bandwidth will be negotiated down to an acceptable level for all components.

**NOTE:** Hard drives have either a one year or three year warranty; refer to the specific hard drive QuickSpecs for details.

**NOTE:** A minimum of one hard drive is required when purchasing Non-Hot Plug CTO Chassis Model (P/N 495958-B21) in Step 1.

**NOTE:** SATA Non-Hot Plug Hard Drives ONLY required when purchasing Non-Hot Plug CTO Chassis Models (P/N 495958-B21) in Step 1.

##### SATA Non-Hot Plug LFF (3.5-inch) Midline (MDL) Drives

HP 2TB 3G SATA 7.2K rpm LFF (3.5-inch) Non-hot Plug Midline 1yr Warranty Hard Drive 507774-B21

HP 1TB 3G SATA 7.2K rpm LFF (3.5-inch) Non-hot Plug Midline 1yr Warranty Hard Drive 507772-B21

HP 500GB 3G SATA 7.2K rpm LFF (3.5-inch) Non-hot Plug Midline 1yr Warranty Hard Drive 458941-B21

##### SATA Non-Hot Plug LFF (3.5-inch) Entry (ETY) Drives

HP 250GB 3G SATA 7.2K rpm LFF (3.5-inch) Non-hot Plug Entry 1yr Warranty Hard Drive 571232-B21

HP 160GB 3G SATA 7.2K rpm LFF (3.5-inch) Non-hot Plug Entry 1yr Warranty Hard Drive 458947-B21

#### HP Storage Controllers

**NOTE:** A minimum of one Smart Array Controller is ONLY required when purchasing Hot Plug CTO Chassis Model (P/N 495958-B21) in Step 1. The HP Smart Array P212 (491191-B21) is supported in the Non-Hot Plug Model (P/N 495958-B21) for external storage control ONLY. The HP Smart Array P410 Controller is not supported in the Non Hot Plug Model.

**NOTE:** The addition of the battery backed cache upgrade enables BBWC, RAID 5, 5+0, array expansion, logical drive extension, RAID migration, and stripe size migration. In order to upgrade to RAID 6, at least 256MB Cache and a Battery is required in addition to the Smart Array Advanced Pack license (P/N 516471-B21).

HP Smart Array P212/256 1-ports Int/1-ports Ext PCIe x8 FIO SAS Controller 491191-B21

HP Smart Array P410/ZM 2-ports Int PCIe x8 FIO SAS Controller 462860-B21



### Configuration Information - Factory Integrated Models

#### HP Power Supplies

**NOTE:** Prior to making a power supply selection it is highly recommended that the HP Power Advisor is run to determine the right size power supply for your server configuration. The HP Power Advisor is located at: [www.hp.com/go/hppoweradvisor](http://www.hp.com/go/hppoweradvisor)

**NOTE:** The 400W 1U G6 RPS (P/N: 532092-B21) is limited to the following configuration support: (1.) NHP SATA Model (P/N: 495958-B21), (2.) Up to 2 60W Low Voltage processors (P/N: 491507--B21), (3.) No graphics cards supported via PCI-e.

HP 500W Factory Integrated Power Supply Kit	515915-B21
HP 460W Common Slot Gold Hot Plug Factory Integrated Power Supply Kit with Backplane	535684-B21
HP 750W Common Slot Gold Hot Plug Factory Integrated Power Supply Kit with Backplane	535683-B21
HP 365W Hot Plug Redundant Power Supply Kit with Backplane	532092-B21

### Step 3: Choose Additional Factory Integratable Options (only one of the following from each list unless otherwise noted)

HP Drive Cage Options	HP 8SFF HDD Cage & Backplane G6 FIO	515938-B21
	<b>NOTE:</b> Installation of the HP 8SFF HDD Cage & Backplane G6 FIO Kit is required when installing small form factor drives.	
HP Cooling Options	HP Redundant Fan 40x56 1U seG6 Factory Integrated Kit	536576-B21)
	<b>NOTE:</b> The HP Redundant Fan 40x56 1U seG6 Kit (P/N 536576-B21) can be ordered as a factory upgrade for N+1 fan redundancy.	

### Step 4: Choose Additional Options for Factory Integration

**NOTE:** For additional options, please refer to the "Options" section below.



### Core Options

**NOTE:** Some options may not be integrated at the factory. To ensure only valid configurations are ordered, HP recommends the use of an HP approved configurator. Contact your local sales representative for additional information.

<b>HP Unique Options</b>	HP Dedicated Management Port Kit	516006-B21
	HP Internal USB Cable G6 Kit	536769-B21
	<b>NOTE:</b> This option required to connect a USB device internally.	

### HP Processors

#### Quad-Core Processors

HP DL160 G6 Intel® Xeon® X5570 (2.93GHz/4-core/8MB/95W) Processor Kit	508231-B21
HP DL160 G6 Intel® Xeon® X5560 (2.80GHz/4-core/8MB/95W) Processor Kit	573893-B21
HP DL160 G6 Intel® Xeon® X5550 (2.66GHz/4-core/8MB/95W) Processor Kit	491511-B21
HP DL160 G6 Intel® Xeon® E5540 (2.53GHz/4-core/8MB/80W) Processor Kit	490461-B21
HP DL160 G6 Intel® Xeon® E5530 (2.40GHz/4-core/8MB/80W) Processor Kit	573895-B21
HP DL160 G6 Intel® Xeon® E5520 (2.26GHz/4-core/8MB/80W) Processor Kit	490459-B21
HP DL160 G6 Intel® Xeon® L5520 (2.26GHz/4-core/8MB/60W) Processor Kit	491507-B21
HP DL160 G6 Intel® Xeon® E5504 (2.00GHz/4-core/4MB/80W) Processor Kit	490457-B21

**NOTE:** HT indicates that the processor model supports Intel® Hyper-Threading Technology.

**NOTE:** Turbo indicates the maximum potential frequency increment when using Intel® Turbo Boost Technology, with 4, 3, 2, and 1 cores active.

**NOTE:** DDR3 speed is the maximum memory speed of the processor. Actual memory speed may depend on the quantity and type of DIMMs installed.

**NOTE:** For the Intel 5500 Series, the letter preceding the model number indicates the performance/wattage of the processor. "X" denotes High Performance/Wattage; "E" denotes Enterprise Performance/Wattage (Mainstream); and "L" denotes Lower Wattage.

### HP Memory

#### Registered DIMMs (RDIMMs)

HP 2GB (1x2GB) Dual Rank x8 PC3-10600 (DDR3-1333) Registered CAS-9 Memory Kit	500656-B21
HP 4GB (1x4GB) Dual Rank x4 PC3-10600 (DDR3-1333) Registered CAS-9 Memory Kit	500658-B21
HP 4GB (1x4GB) Quad Rank x8 PC3-8500 (DDR3-1066) Registered CAS-7 Low Power Memory Kit	500660-B21
HP 4GB (1x4GB) Single Rank x4 PC3-10600 (DDR3-1333) Registered CAS-9 Memory Kit	593339-B21
HP 8GB (1x8GB) Dual Rank x4 PC3-10600 (DDR3-1333) Registered CAS-9 Memory Kit	500662-B21
HP 16GB (1x16GB) Quad Rank x4 PC3-8500 (DDR3-1066) Registered CAS-7 Memory Kit	500666-B21

#### Unbuffered with ECC DIMMs (UDIMMs)

HP 1GB (1x1GB) Single Rank x8 PC3-10600 (DDR3-1333) Unbuffered CAS-9 Memory Kit	500668-B21
---	------------





### Core Options

HP 2GB (1x2GB) Dual Rank x8 PC3-10600 (DDR3-1333) Unbuffered CAS-9 Memory Kit 500670-B21

HP 4GB (1x4GB) Dual Rank x8 PC3-10600 (DDR3-1333) Unbuffered CAS-9 Memory Kit 500672-B21

**NOTE:** All DDR3 memory option kits consist of one DIMM per kit. For detailed memory configuration rules and guidelines, please use the Online DDR3 Memory Configuration Tool: [www.hp.com/go/ddr3memory-configurator](http://www.hp.com/go/ddr3memory-configurator).

**NOTE:** Kits described as LP include Low Power DIMMs. For more information on ProLiant Energy Efficient Features, see:

<http://h18004.www1.hp.com/products/servers/platforms/energyefficient/>

---

HP Optical Drives

HP 9.5mm SATA DVD-ROM Optical Drive 481045-B21

HP 9.5mm SATA DVD RW Optical Drive 481047-B21

---

### HP Hard Drives

**NOTE:** The components of a storage subsystem (e.g. the drive, the HBA/controller, and the server backplane) should operate at the same data transfer rate or the system bandwidth will be negotiated down to an acceptable level for all components.

**NOTE:** Hard drives have either a one year or three year warranty; refer to the specific hard drive QuickSpecs for details.

**SATA Hot Plug LFF (3.5-inch) Midline (MDL) Drives** (SAS/SATA Hot Plug Models Only)

**NOTE:** A SAS HBA or Array Controller is required.

HP 2TB 3G SATA 7.2K rpm LFF (3.5-inch) Midline 1yr Warranty Hard Drive 507632-B21

HP 1TB 3G SATA 7.2K rpm LFF (3.5-inch) Midline 1yr Warranty Hard Drive 454146-B21

HP 500GB 3G SATA 7.2K rpm LFF (3.5-inch) Midline 1yr Warranty Hard Drive 458928-B21

**SATA Non-Hot Plug LFF (3.5-inch) Midline (MDL) Drives** (Non-Hot Plug Models Only)

HP 2TB 3G SATA 7.2K rpm LFF (3.5-inch) Non-hot Plug Midline 1yr Warranty Hard Drive 507774-B21

HP 1TB 3G SATA 7.2K rpm LFF (3.5-inch) Non-hot Plug Midline 1yr Warranty Hard Drive 507772-B21

HP 500GB 3G SATA 7.2K rpm LFF (3.5-inch) Non-hot Plug Midline 1yr Warranty Hard Drive 458941-B21

**SATA Hot Plug SFF (2.5-inch) SFF Midline (MDL) Drives**

HP 1TB 3G SATA 7.2K rpm SFF (2.5-inch) Hot Plug Midline 1yr Warranty Hard Drive 625609-B21

**SATA Hot Plug LFF (3.5-inch) Entry (ETY) Drives**

HP 250GB 3G SATA 7.2K rpm LFF (3.5-inch) Entry 1yr Warranty Hard Drive 571230-B21

HP 160GB 3G SATA 7.2K rpm LFF (3.5-inch) Entry 1yr Warranty Hard Drive 458945-B21

**NOTE:** Please see QuickSpecs for Technical Specifications and additional information:

[http://h18000.www1.hp.com/products/quickspecs/13021\\_div/13021\\_div.html](http://h18000.www1.hp.com/products/quickspecs/13021_div/13021_div.html) (Worldwide)

**SATA Non-Hot Plug LFF (3.5-inch) Entry (ETY) Drives**

HP 250GB 3G SATA 7.2K rpm LFF (3.5-inch) Non-hot Plug Entry 1yr Warranty Hard Drive 571232-B21



### Core Options

HP 160GB 3G SATA 7.2K rpm LFF (3.5-inch) Non-hot Plug Entry 1yr Warranty Hard Drive 458947-B21

#### SATA Hot Plug Midline (MDL) Solid State Drives

HP 60GB 3G SATA SFF (2.5-inch) Midline 1yr Warranty Solid State Drive 572071-B21

HP 120GB 3G SATA SFF (2.5-inch) Midline 1yr Warranty Solid State Drive 572073-B21

#### SATA Hot Plug 3.5" Midline (MDL) Solid State Drives

HP 60GB 3G SATA LFF (3.5-inch) Midline 1yr Warranty Solid State Drive 570761-B21

HP 120GB 3G SATA LFF (3.5-inch) Midline 1yr Warranty Solid State Drive 570763-B21

**NOTE:** Please see the QuickSpecs for Technical Specifications and additional information:

[http://h18000.www1.hp.com/products/quickspecs/13415\\_div/13415\\_div.html](http://h18000.www1.hp.com/products/quickspecs/13415_div/13415_div.html)  
(Worldwide)

#### SAS Hot Plug SFF (2.5-inch) Enterprise (ENT) Drives

HP 600GB 6G SAS 10K rpm SFF (2.5-inch) Dual Port Enterprise 3yr Warranty Hard Drive 581286-B21

HP 450GB 6G SAS 10K rpm SFF (2.5-inch) Dual Port Enterprise 3yr Warranty Hard Drive 581284-B21

HP 300GB 6G SAS 10K rpm SFF (2.5-inch) Dual Port Enterprise 3yr Warranty Hard Drive 507127-B21

HP 146GB 6G SAS 15K rpm SFF (2.5-inch) Dual Port Enterprise 3yr Warranty Hard Drive 512547-B21

HP 146GB 6G SAS 10K rpm SFF (2.5-inch) Dual Port Enterprise 3yr Warranty Hard Drive 507125-B21

HP 72GB 6G SAS 15K rpm SFF (2.5-inch) Dual Port Enterprise 3yr Warranty Hard Drive 512545-B21

#### SAS Hot Plug LFF (3.5-inch) Enterprise (ENT) Drives

HP 600GB 6G SAS 15K rpm LFF (3.5-inch) Dual Port Enterprise 3yr Warranty Hard Drive 516828-B21

HP 450GB 6G SAS 15K rpm LFF (3.5-inch) Dual Port Enterprise 3yr Warranty Hard Drive 516816-B21

HP 300GB 6G SAS 15K rpm LFF (3.5-inch) Dual Port Enterprise 3yr Warranty Hard Drive 516814-B21

**NOTE:** The purchase of SAS HBA or array controller is required.

#### SAS Hot Plug SFF (2.5-inch) Midline (MDL) Drives

HP 1TB 6G SAS 7.2K rpm SFF (2.5-inch) Hot Plug Midline 1yr Warranty Hard Drive 605835-B21

HP 500GB 6G SAS 7.2K rpm SFF (2.5-inch) Dual Port Midline 1yr Warranty Hard Drive 507610-B21

#### SAS Hot Plug LFF (3.5-inch) Midline (MDL) Drives

HP 2TB 6G SAS 7.2K rpm LFF (3.5-inch) Dual Port Midline 1yr Warranty Hard Drive 507616-B21

HP 1TB 6G SAS 7.2K rpm LFF (3.5-inch) Dual Port Midline 1yr Warranty Hard Drive 507614-B21

**NOTE:** Please see the QuickSpecs for Technical Specifications and additional information:

[http://h18000.www1.hp.com/products/quickspecs/12244\\_div/12244\\_div.html](http://h18000.www1.hp.com/products/quickspecs/12244_div/12244_div.html)  
(Worldwide)



### Core Options

---

#### HP Networking

##### Gigabit Ethernet Adapters

HP NC112T PCIe Gigabit Server Adapter	503746-B21
HP NC360T PCI Express Dual Port Gigabit Server Adapter	412648-B21
HP NC373F PCI Express Multifunction Gigabit Server Adapter	394793-B21
HP NC373T PCI Express Multifunction Gigabit Server Adapter	394791-B21
HP NC382T PCI Express Dual Port Multifunction Gigabit Server Adapter	458492-B21
HP NC375T PCI Express Quad Port Gigabit Server Adapter	538696-B21
HP NC364T PCI Express Quad Port Gigabit Server Adapter	435508-B21
HP NC365T 4-port Ethernet Server Adapter	593722-B21

##### 10 Gigabit Ethernet Adapters

HP NC522SFP Dual Port 10GbE Server Adapter	468332-B21
--	------------

**NOTE:** A minimum of two Gigabytes (2GB) of server memory is required for each NC522SFP adapter.

**NOTE:** Direct Attach Cable (DAC) for copper environments or fiber transceivers and cables for fiber-optic environments must be purchased separately.

HP NC550SFP Dual Port 10GbE Server Adapter	581201-B21
--	------------

**NOTE:** A minimum of two Gigabytes (2 GB) of server memory is required per each NC550SFP adapter.

**NOTE:** Direct Attach Cable (DAC) for copper environments or fiber transceivers and cables for fiber-optic environments must be purchased separately.

**NOTE:** Please see the QuickSpecs for Technical Specifications and additional information: [www.hp.com/go/ProLiantNICs](http://www.hp.com/go/ProLiantNICs)



### Additional Options

**NOTE:** Some options may not be integrated at the factory. To ensure only valid configurations are ordered, HP recommends the use of an HP approved configurator. Contact your local sales representative for additional information.

<b>HP Entry-Level Server Management</b>	HP LO100i Advanced Pack, No Media 1-Server License including 1 year of 24x7 Technical Support and Updates <b>NOTE:</b> For additional License Kits please see the Lights-Out 100i QuickSpecs at: <a href="http://www.hp.com/go/lo100">www.hp.com/go/lo100</a>	530521-B21
---	--	------------

---

<b>HP Insight Software</b>	<b>HP Insight Control for Linux</b> HP Insight Control for Linux including 1yr 24x7 Support Electronic License TC213AAE HP Insight Control for Linux including 1yr 24x7 Support Single Server License TC209A <b>NOTE:</b> This part number can be purchased as a single license or as multiple licenses with a single activation key. Customer will receive a license entitlement certificate via e-mail. The license entitlement certificate must be redeemed online or via fax in order to obtain the license activation key(s). Includes one year of 24 x 7 HP Software Technical Support and Update Service. <b>NOTE:</b> Electronic LTUs are only available through limited points of sales; if not available, order a printed license entitlement certificate instead.  HP Insight Control for Linux Media Kit TC208A <b>NOTE:</b> This optional Media pack DVD contains the ISO image for HP Insight Control for Linux, HP Systems Insight Manager, HP Insight Control power management, HP Insight Control virtual machine management, and an integrated installer. Servers must be acquired separately. <b>NOTE:</b> This Media pack is optional because the latest ISO image and latest updates may be downloaded at no cost from: <a href="http://www.hp.com/go/ic-linux">http://www.hp.com/go/ic-linux</a> (click on Download button). <b>NOTE:</b> Electronic licenses can be used to purchase multiple licenses with a single activation key, and are available in all countries except China and Japan. Customers in China and Japan should order the physical equivalent. <b>NOTE:</b> Customer will receive a license entitlement certificate, which must be redeemed online or via fax in order to obtain the license activation key(s). Includes one year of 24 x 7 HP Software Technical Support Service. <b>NOTE:</b> For additional License Kits, including electronic licensing options, please see the QuickSpecs at: <a href="http://h18000.www1.hp.com/products/quickspecs/13019_div/13019_div.html">http://h18000.www1.hp.com/products/quickspecs/13019_div/13019_div.html</a> <b>HP Insight Control server deployment</b> HP Insight Control Server Deployment including 1yr 24x7 Support Electronic License T9082AAE HP Insight Control Server Deployment including 1yr 24x7 Support Single Server License 452151-B21 <b>NOTE:</b> Licenses ship without media. The Insight Control Media Kit can be ordered separately, or can be downloaded at: <a href="http://www.hp.com/go/insightupdates">http://www.hp.com/go/insightupdates</a> . <b>NOTE:</b> Electronic licenses can be used to purchase multiple licenses with a single activation key, and is available in all countries except China and Japan. Customers in China and Japan should order the physical equivalent. <b>NOTE:</b> Customer will receive a license entitlement certificate, which must be redeemed online or via fax in order to obtain the license activation key(s). Includes one year of 24 x 7 HP Software Technical Support Service. <b>NOTE:</b> For additional license kits please see the Insight Control QuickSpecs at:
----------------------------	--



### Additional Options

[http://h18004.www1.hp.com/products/quickspecs/12631\\_div/12631\\_div.html](http://h18004.www1.hp.com/products/quickspecs/12631_div/12631_div.html)

---

#### High Performance Clusters

HP Cluster Management Utility Compute Node License QL803A

**NOTE:** This part number can be used to purchase one certificate for multiple licenses with a single activation key. Each license is for one node (server). Customer will receive a printed end user license agreement and license entitlement certificate via physical shipment. The license entitlement certificate must be redeemed online in order to obtain a license key.

**NOTE:** For additional license kits please see the QuickSpecs at:  
[http://h18004.www1.hp.com/products/quickspecs/12612\\_div/12612\\_div.html](http://h18004.www1.hp.com/products/quickspecs/12612_div/12612_div.html)

HP Cluster Management Utility Media and Management License 433257-B21

**NOTE:** Order a minimum of one license per cluster to purchase media including software and documentation, which will be delivered to the customer, and also licenses CMU management. No license key is delivered or required.

**NOTE:** For additional license kits please see the QuickSpecs at:  
[http://h18004.www1.hp.com/products/quickspecs/12612\\_div/12612\\_div.html](http://h18004.www1.hp.com/products/quickspecs/12612_div/12612_div.html)

HP HPC Linux Value Pack One Processor License TC293B

**NOTE:** This part number can be used to purchase one certificate for multiple licenses with a single activation key. Each license is for one socket (a.k.a. processor). Customer will receive a printed end user license agreement and license entitlement certificate via physical shipment. The license entitlement certificate must be redeemed online in order to obtain a license key.

**NOTE:** For additional license kits please see the QuickSpecs at:  
[http://h18004.www1.hp.com/products/quickspecs/13485\\_div/13485\\_div.html](http://h18004.www1.hp.com/products/quickspecs/13485_div/13485_div.html)

HP HPC Linux Value Pack Media TC294A

**NOTE:** This part number can be used to purchase media including software and documentation, which will be delivered to the customer.

**NOTE:** For additional license kits please see the QuickSpecs at:  
[http://h18004.www1.hp.com/products/quickspecs/13485\\_div/13485\\_div.html](http://h18004.www1.hp.com/products/quickspecs/13485_div/13485_div.html)

---

#### HP Drive Cage Options

HP 4HDD Hot Plug Backplane G6 Kit 512181-B21

**NOTE:** Installation of the 4 HDD Hot Plug Backplane G6 Kit (512181-B21) is required if ordering third or fourth Hard Drives for Hot Plug models only.

---



### Additional Options

<b>HP Security - TPM</b>	HP Trusted Platform Module Option Kit	488069-B21
--------------------------	---------------------------------------	------------

**NOTE:** The TPM (Trusted Platform Module) is a microcontroller chip that can securely store artifacts used to authenticate the server platform. These artifacts can include passwords, certificates and encryption keys. Windows® BitLocker™ Drive Encryption (BitLocker) is a data protection feature available in Windows Server® 2008. BitLocker leverages the enhanced security capabilities of a Trusted Platform Module (TPM) version 1.2. The TPM works with BitLocker to help protect user data and to ensure that a server running Windows Server 2008 has not been tampered with while the system was offline.

**NOTE:** For more information about TPM, including a white paper, go to: <http://www.hp.com/go/TPM>

**NOTE:** ProLiant OS pre-installed units will come with the partition required for TPM deployment.

**NOTE:** The TPM key is unique to every TPM deployed server and must be retained. Misplacing or losing the key could result in data loss.

### HP Storage Controllers

**NOTE:** The addition of storage controllers for internal hard drive use is intended for use ONLY with the Hot Plug SATA/SAS Model Chassis (P/N 495959-B21). The addition of a storage controller to the Non-Hot Plug Model Chassis (P/N: 495958-B21) is supported for external storage ONLY.

**NOTE:** With the HP Smart Array P410 Controller, the addition of the battery backed cache upgrade enables BBWC, RAID 5, 5+0, array expansion, logical drive extension, RAID migration, and stripe size migration. In order to upgrade to RAID 6, at least 256MB Cache and a Battery is required in addition to the Smart Array Advanced Pack license (P/N 516471-B21).

#### SAS Controllers

##### Smart Array P212 Controller

HP Smart Array P212/ZM 1-ports Int/1-ports Ext PCIe x8 SAS Controller	462828-B21
HP Smart Array P212/256 1-ports Int/1-ports Ext PCIe x8 SAS Controller	462834-B21

##### Smart Array P410 Controller

HP Smart Array P410/256 2-ports Int PCIe x8 SAS Controller	462862-B21
HP Smart Array P410/256 2-ports Int PCIe x8 FIO SAS Controller	491195-B21
HP Smart Array P410/512 BBWC 2-ports Int PCIe x8 SAS Controller	462864-B21
HP Smart Array P410/1G FBWC 2-ports Int PCIe x8 SAS Controller	572532-B21
HP Smart Array P410/512 FBWC 2-ports Int PCIe x8 SAS Controller	578230-B21

##### Smart Array P411 Controller

HP Smart Array P411/512 FBWC 2-ports Ext PCIe x8 SAS Controller	578229-B21
HP Smart Array P411/1G FBWC 2-ports Ext PCIe x8 SAS Controller	572531-B21

##### Smart Array P812 Controller

HP Smart Array P812/1G FBWC 2-ports Int/4-ports Ext PCIe x8 SAS Controller	487204-B21
--	------------

#### Storage Controllers for use with External Storage Only

HP Smart Array P411/256 2-ports Ext PCIe x8 SAS Controller	462830-B21
HP Smart Array P411/512 BBWC 2-ports Ext PCIe x8 SAS Controller	462832-B21

**NOTE:** Please see the following QuickSpecs for Technical Specifications and additional information:



### Additional Options

[http://h18000.www1.hp.com/products/quickspecs/13203\\_div/13203\\_div.html](http://h18000.www1.hp.com/products/quickspecs/13203_div/13203_div.html)  
(Smart Array P212 Controller)

[http://h18000.www1.hp.com/products/quickspecs/13201\\_div/13201\\_div.html](http://h18000.www1.hp.com/products/quickspecs/13201_div/13201_div.html)  
(Smart Array P410 Controller)

[http://h18000.www1.hp.com/products/quickspecs/13202\\_div/13202\\_div.html](http://h18000.www1.hp.com/products/quickspecs/13202_div/13202_div.html)  
(Smart Array P411 Controller)

[http://h18000.www1.hp.com/products/quickspecs/13558\\_div/13558\\_div.html](http://h18000.www1.hp.com/products/quickspecs/13558_div/13558_div.html)  
(Smart Array P812 Controller)

#### Optional upgrades

HP Smart Array Advanced Pack including 1yr 24x7 Technical Support and Updates  
Single Server License 516471-B21

**NOTE:** This part number can be used to purchase a single license or to order multiple licenses with a single activation key. Customers will receive a license entitlement certificate via e-mail. The license entitlement certificate must be redeemed online or via fax in order to obtain the license activation key(s). Include one year of 24x7 HP Software Technical Support Services.

HP 1GB Flash Backed Cache 534562-B21

HP 512MB Flash Backed Write Cache 534916-B21

HP 256MB P-series Cache Upgrade 462968-B21

HP 512MB P-Series Battery Backed Write Cache Upgrade 462967-B21

**NOTE:** This is an option for the HP Smart Array P410i Controller (P410i is standard integrated controller).

**NOTE:** Battery included. When used with the embedded HP Smart Array P410i controller.

HP 650 mAh P-Series Battery 462969-B21

**NOTE:** This is an option for the HP Smart Array P410i Controller (P410i is standard integrated controller).

**NOTE:** To enable BBWC on the 256MB cache on P410i.

#### SAS HBA

HP SC08Ge 2-ports Ext PCIe x8 SAS Host Bus Adapter 488765-B21

HP Modular Smart Array SC08e 2-ports Ext PCIe x8 SAS Host Bus Adapter 614988-B21

**NOTE:** This is a 2 x4 External Port HBA.

**NOTE:** Please see the QuickSpecs for Technical Specifications and additional information:

[http://h18004.www1.hp.com/products/quickspecs/13082\\_div/13082\\_div.html](http://h18004.www1.hp.com/products/quickspecs/13082_div/13082_div.html)  
(SC08Ge HBA)

[http://h18004.www1.hp.com/products/quickspecs/13651\\_div/13651\\_div.html](http://h18004.www1.hp.com/products/quickspecs/13651_div/13651_div.html)  
(SC08e 6Gb HBA)



### Additional Options

HP InfiniBand Options	HP 10 GbE PCI-e G2 Dual Port Adapter	516937-B21
	HP IB 4X DDR CX-2 PCI-e G2 Dual Port HCA	592521-B21
	HP IB 4X DDR PCI-e DUAL PORT 0 mem HCA	483513-B21
	HP IB 4X DDR PCI-e DUAL PORT HCA	448397-B21
	HP IB 4X QDR CX-2 PCI-e G2 Dual Port HCA	592520-B21
	QLogic IB 4X QDR PCI-e G2 Dual-port HCA	583211-B21

**NOTE:** Please see the QuickSpecs for additional information:

[http://h18000.www1.hp.com/products/quickspecs/13078\\_div/13078\\_div.html](http://h18000.www1.hp.com/products/quickspecs/13078_div/13078_div.html)

### HP Backup & Recovery Software

#### Data Protector Express

HP Data Protector Express 5.0 for 1 Server	TC330AAE
HP Data Protector Express 5.0 for 3 Servers	TC331AAE
HP Data Protector Express 5.0 for 10 Servers	TC332AAE
HP Data Protector Express 5.0 for 1 Server Upgrade from HP Data Protector Express Basic	TC333AAE

**NOTE:** Only one of these Data Protector Express base products is required. To see available options: <http://www.hp.com/go/dataprotectorexpress>

### HP Tape Backup

**NOTE:** For the complete range of StorageWorks tape drives, autoloaders, libraries and media see: <http://www.hp.com/go/tape>. For hardware and software compatibility of HP StorageWorks tape backup products see: <http://www.hp.com/go/connect>.

**NOTE:** Connection using the HP P212 SAS Smart Array Controller (462828-B21) recommended.

HP StorageWorks DAT 160 SAS Internal Tape Drive	Q1587A
<b>NOTE:</b> For installation into 1U SAS Rack-Mount Kit (AE459B) or 3U SAS Rack-Mount Kit (AG576B). No peripheral bay available for installation into the server.	
HP StorageWorks DAT 320 USB in 1U Rack-mount Kit	AP835B
HP StorageWorks DAT 320 SAS Internal Tape Drive	AJ830A
<b>NOTE:</b> For installation into 1U SAS Rack-Mount Kit (AE459B) or 3U SAS Rack-Mount Kit (AG576B). No peripheral bay available for installation into the server.	
HP StorageWorks Ultrium 448 SAS Internal Drive	DW085A
<b>NOTE:</b> For installation into 1U SAS Rack-Mount Kit (AE459B) or 3U SAS Rack-Mount Kit (AG576B). No peripheral bay available for installation into the server.	
HP StorageWorks Ultrium 920 SAS Internal Tape Drive	EH847A
<b>NOTE:</b> For installation into 1U SAS Rack-Mount Kit (AE459B) or 3U SAS Rack-Mount Kit (AG576B). No peripheral bay available for installation into the server.	
HP StorageWorks 1/8 G2 Ultrium 920 SAS Autoloader	AH558A
<b>NOTE:</b> Requires HP 1U Tape Autoloader Rack-Mount Kit (AH166A) for rack installation.	
HP StorageWorks MSL2024 Ultrium 920 SAS Tape Library	AH559A





### Additional Options

#### HP Disk Backup

**NOTE:** For the complete range of StorageWorks D2D Backup Systems see: <http://www.hp.com/go/d2d>. For the complete range of StorageWorks RDX drives and media see: <http://www.hp.com/go/rdx>. For hardware and software compatibility of HP StorageWorks disk backup products see: <http://www.hp.com/go/connect>.

#### HP StorageWorks D2D Backup Systems with Backup Data Deduplication

HP StorageWorks D2D2502i Backup System

EJ001B

**NOTE:** 1.5TB of usable network disk backup capacity. Network connected appliance with connectivity using the iSCSI protocol. If the server requires a hardware iSCSI initiator, the QLogic QLA4050 Host Bus Adapter is recommended.

HP StorageWorks D2D2504i Backup System

EJ002B

**NOTE:** 3.0TB of usable network disk backup capacity. Network connected appliance with connectivity using the iSCSI protocol. If the server requires a hardware iSCSI initiator, the QLogic QLA4050 Host Bus Adapter is recommended.

#### USB Removable Media RDX Disk Backup Systems

HP RDX 1TB Int Removable Disk Backup System

BV847A

HP StorageWorks RDX320 Internal Removable Disk Backup System

AJ767A

**NOTE:** For installation into 1U USB Rack-Mount Kit (A8007A). No peripheral bay available for drive installation into the server. 320GB of disk capacity per data cartridge.

HP StorageWorks RDX500 Internal Removable Disk Backup System

AJ934A

**NOTE:** For installation into 1U USB Rack-Mount Kit (A8007A). No peripheral bay available for drive installation into the server. 500GB of disk capacity per data cartridge.

---

#### HP Disk Storage Systems

##### Disk Enclosures

HP StorageWorks D2600 Disk Enclosure

AJ940A

HP StorageWorks D2700 Disk Enclosure

AJ941A

**NOTE:** Please see the QuickSpecs for additional options and configuration information at:

[http://h18000.www1.hp.com/products/quickspecs/13404\\_div/13404\\_div.html](http://h18000.www1.hp.com/products/quickspecs/13404_div/13404_div.html)  
(Worldwide)

---



### Additional Options

#### HP StorageWorks Options

##### StorageWorks Fibre Channel HBA

**NOTE:** The following is a list of all Fibre Channel Host Bus Adapters for Windows and Linux. For detailed compatibility information please see:

<http://h18006.www1.hp.com/storage/saninfrastructure/hba.html>

##### Brocade Fibre Channel HBAs

HP StorageWorks 81B PCIe 8Gb Fibre Channel Single Port Host Bus Adapter	AP769A
HP StorageWorks 82B PCIe 8Gb Fibre Channel Dual Port Host Bus Adapter	AP770A
HP StorageWorks 41B PCIe 4Gb Fibre Channel Single Port Host Bus Adapter	AP767A
HP StorageWorks 42B PCIe 4Gb Fibre Channel Dual Port Host Bus Adapter	AP768A

##### Emulex Fibre Channel HBAs

HP StorageWorks 81E 8Gb Single Port PCI-e Fibre Channel Host Bus Adapter	AJ762A
HP StorageWorks 82E 8Gb Dual Port PCI-e Fibre Channel Host Bus Adapter	AJ763A
HP StorageWorks FC2142SR 4Gb PCIe Host Bus Adapter	A8002A
HP StorageWorks FC2242SR 4Gb PCIe DC Host Bus Adapter	A8003A

##### QLogic Fibre Channel HBAs

HP StorageWorks 81Q PCI-e Fibre Channel Host Bus Adapter	AK344A
HP StorageWorks 82Q 8Gb Dual Port PCI-e Fibre Channel Host Bus Adapter	AJ764A
HP StorageWorks FC1142SR 4Gb PCIe Host Bus Adapter	AE311A
HP StorageWorks FC1242SR 4Gb PCIe DC Host Bus Adapter	AE312A

##### StorageWorks Converged Network Adapter

HP StorageWorks CN1000E Dual Port Converged Network Adapter	AW520A
---	--------

#### HP Power Distribution Units

##### Monitored PDUs

###### HP Monitored Power Distribution Unit: Full Rack Version

HP 8.6 kVA S1324 Monitored PDU- single input, 3Ø, 24A (NA/JPN)	AF504A
HP 8.3 S1140 Monitored PDU- single input, 1Ø, 40A (NA/JPN)	AF506A
HP 11 kVA S1316 Monitored PDU- single input, 3Ø, 16A (INTL)	AF508A
HP 7.3 kVA S1132 Monitored PDU- single input, 1Ø, 32A (INTL)	AF510A

###### HP Monitored Power Distribution Unit: Half Rack Version

HP 4.9 kVA S124 Monitored PDU- single input, 1Ø, 24A (NA/JPN)	AF914A
HP 7.3 kVA S132 Monitored PDU- single input, 1Ø, 32A (INTL)	AF915A

##### Modular Power Distribution Units 1U/0U (Up to 32 outlets)

4.9 kVA Modular PDU, 24A	252663-D72
7.3kVA Model - mPDU, 32A, High (INT'L)	252663-B31
8.3 kVA Modular PDU, 40A	252663-D73
3.6 kVA Modular PDU, 16A	252663-B24

**NOTE:** Please see the QuickSpecs for Technical Specifications and additional information:

[http://h18000.www1.hp.com/products/quickspecs/12118\\_div/12118\\_div.html](http://h18000.www1.hp.com/products/quickspecs/12118_div/12118_div.html)



### Additional Options

**NOTE:** Please see the UPS and PDU cable matrix's on the HP Power Protection and Management page. Under Power Cords, click on the "HP Power Cord Matrix" link. That link will list cable descriptions, requirements, and specifications for UPS and PDU units. Please see the following link: [www.hp.com/products/powercords](http://www.hp.com/products/powercords)

---

HP Uninterruptible Power Systems	<b>HP Rack-mountable UPS</b>	
	<b>HP R/T3000 Uninterruptible Power System (UPS)</b>	
	HP R/T3000 3300VA High Voltage NA/JPN 2U Rackmount Uninterruptible Power System	AF453A
	HP R/T3000 3300VA INTL 2U Rackmount Uninterruptible Power System	AF454A
	<b>NOTE:</b> Please see the QuickSpecs for additional information: <a href="http://h18000.www1.hp.com/products/quickspecs/13417_div/13417_div.html">http://h18000.www1.hp.com/products/quickspecs/13417_div/13417_div.html</a> (Worldwide)	
	<b>HP Rack-Mountable R5500 UPS</b>	
	HP R5500 6000VA INTL 3U Rackmount Uninterruptible Power System	AF416A
	HP R5500 5000kVA NA/JP 3U Rackmount Uninterruptible Power System	AF426A
	<b>NOTE:</b> Please see the QuickSpecs for additional information: <a href="http://h18000.www1.hp.com/products/quickspecs/11871_div/11871_div.html">http://h18000.www1.hp.com/products/quickspecs/11871_div/11871_div.html</a> (Worldwide)	
	<b>NOTE:</b> For additional information on sizing your server, please reference: <a href="http://www.upssizer.com">http://www.upssizer.com</a>	
	<b>NOTE:</b> Please see the UPS and PDU cable matrix's on the HP Power Protection and Management page. Under Power Cords, click on the "HP Power Cord Matrix" link. That link will list cable descriptions, requirements, and specifications for UPS and PDU units. Please see the following link: <a href="http://www.hp.com/products/powercords">www.hp.com/products/powercords</a>	

---

HP Rack Series	<b>HP Rack 10000 G2 Series</b> (Graphite Metallic)	
	HP 10642 G2 1200mm deep Shock Rack	AF092A
	HP 10647 G2 1200mm deep Shock Rack	AF094A
	HP 10642 G2 Pallet Universal Rack	AF001A
	HP 10642 G2 Shock Universal Rack	AF002A
	<b>NOTE:</b> It is mandatory to use a shock pallet when shipping racks with equipment installed.	
	<b>NOTE:</b> Please see the Rack 10000 G2 QuickSpecs for Technical Specifications such as height, width, depth, weight, and color: <a href="http://h18000.www1.hp.com/products/quickspecs/12402_div/12402_div.html">http://h18000.www1.hp.com/products/quickspecs/12402_div/12402_div.html</a> (Worldwide)	
	<b>NOTE:</b> For additional information regarding Rack Cabinets, please see the following URL: <a href="http://www.hp.com/go/rackandpower">http://www.hp.com/go/rackandpower</a> .	
	<b>NOTE:</b> The increasing power of new high-performance processor technology requires increased cooling efficiency for rack-mounted servers. The 10000 G2 Series Racks provide enhanced airflow for maximum cooling, allowing these racks to be fully loaded with servers using the latest processors.	
	<b>CAUTION:</b> If a third-party rack is used, observe the following additional requirements	



### Additional Options

to ensure adequate airflow and to prevent damage to the equipment:

- Front and rear doors: If your 42U server rack includes closing front and rear doors, you must allow 830 square inches (5,350 sq cm) of hole evenly distributed from top to bottom to permit adequate airflow (equivalent to the required 64 percent open area for ventilation).
- Side: The clearance between the installed rack component and the side panels of the rack must be a minimum of 2.75 inches (7 cm).

**CAUTION:** Always use blanking panels to fill all remaining empty front panel U-spaces in the rack. This arrangement ensures proper airflow. Using a rack without blanking panels results in improper cooling that can lead to thermal damage.

**NOTE:** HP ProLiant DL rack models have fixed rails which provide support for racks with round mounting holes and tool-free support for racks with square mounting holes (including Compaq/HP 7000, 9000, 10000 and HP series), with an adjustment range of 26" - 36".

**NOTE:** Support for all 2 and 4 post Telco racks and threaded hole racks requires an additional option kit from Rack Solutions. The Rack Solutions brackets can be purchased at: [www.hp.com/go/rackandpower](http://www.hp.com/go/rackandpower).

---

#### HP Rack Options

#### HP KVM Switch Options

0x2x16 KVM Server Console G2 Switch with Virtual Media and CAC	AF618A
0x2x32 KVM Server Console G2 Switch with Virtual Media and CAC	AF619A
1x1Ex8 KVM IP Console Switch G2 with Virtual Media and CAC	AF620A
2x1Ex16 KVM IP Console Switch G2 with Virtual Media and CAC	AF621A
4x1Ex32 KVM IP Console Switch G2 with Virtual Media and CAC	AF622A
Server console switch 0x2x8	AF616A
Server console switch 0x2x16	AF617A

**NOTE:** For additional information regarding KVM switches, Serial Console servers, rack mount monitors, keyboards and all related options please see the following URL: <http://www.hp.com/go/kvm>.

---

#### HP USB and SD Options

HP USB Optical Mouse	DC172B
HP USB 04 Standard Keyboard	DT528A#ABA

---



## Additional Options

HP Care Pack Services	<b>Hardware Services 4-Hour On-site Service</b>	
	13-Hour x 5-Day Coverage, 3 Years, Electronic	U9509E
	24-Hour x 7 Day Coverage, 3 Years, Electronic	U9510E
	<b>Hardware Services Next Business Day On-Site Service</b>	
	9-Hour x 5-Day Coverage, 3 Years, Electronic	U9508E
	<b>Hardware Services 6-Hour Call to Repair On-Site Service</b>	
	Hardware Installation, Electronic	U9520E
	6-Hour Call to Repair, On-site Service, 7-Day x 24-Hour Coverage, 3 Years, Electronic	U9511E
	<b>NOTE:</b> For more information, customer/resellers can contact: <a href="http://www.hp.com/services/carepack">http://www.hp.com/services/carepack</a>	



### Memory

#### HP ProLiant DL160se G6 (all models)

**NOTE:** Memory configurations listed do not apply to "Factory Integrated Models".

#### Standard Memory

4GB (2x2GB) or 6GB (3 x 2GB) depending on model, PC3-10600E Unbuffered UDIMM memory, with ECC.

#### Maximum Memory

Up to 192 GB memory is available with the optional installation of PC3-8500R Registered DIMM memory kits.

**NOTE:** Charts do not represent all possible memory configurations.

#### DDR3 memory population guidelines

**NOTE:** For detailed memory configuration rules and guidelines, please use the Online DDR3 Memory Configuration Tool: [www.hp.com/go/ddr3memory-configurator](http://www.hp.com/go/ddr3memory-configurator)

Some DIMM installation guidelines are summarized below:

- For servers with twelve (12) memory slots
- There are three (3) channels per processor; six (6) channels per server
- There are two (2) DIMM slots for each memory channel; twelve (12) total slots
- Memory channel 1 consists of the two (2) DIMMs that are closest to the processor
- Memory channel 3 consists of the two (2) DIMMs that are furthest from the processor
- DIMM slots that are white should be populated first
- Do not mix Unbuffered memory (UDIMMs) with Registered memory (RDIMMs)
- Do not install DIMMs if the corresponding processor is not installed
- If only one processor is installed in a 2CPU system, only half of the DIMM slots are available
- To maximize performance, balance the total memory capacity between all installed processors
- It is not required, but it is recommended to load the channels similarly if possible
- You can only have up to eight (8) ranks installed per channel
- You can only install two quad-rank DIMMs per channel
- You can only install two UDIMMs per channel; if available, the third slot in the channel must remain empty
- Populate DIMMs from heaviest load (quad-rank) to lightest load (single-rank) within a channel
- Heaviest load (DIMM with most ranks) within a channel goes furthest from the chipset
- For memory mirroring mode, channel 3 must be unpopulated. Channels 1 and 2 are populated identically
- For lock-step mode, channel 3 must be unpopulated. DIMMs in channels 1 and 2 will be installed in pairs. The paired slots will be 1,4; 2,5; 3,6 on a 3DPC system or 1,4; 2,5; on a 2DPC system
- No mixing DIMM voltage; all DIMMs must be the same voltage



## Memory

DIMM Type ->	Registered DIMMs (RDIMMs)						Unbuffered with ECC DIMMs (UDIMMs)			
DIMM Rank ->	Dual Rank (2R)			Quad Rank (4R)			Single Rank (1R)		Dual Rank (2R)	
DIMM Capacity ->	2GB	4GB	8GB	2GB	4GB	16GB	1GB	2GB	1GB	2GB
DIMM Native Speed (MHz) ->	1333	1333	1066	*	1066	1066	1333	*	*	1333
<b>SLOTS THAT CAN BE POPULATED</b>										
12 slot servers	12	12	12	*	12	12	12	*	*	12
								*	*	
<b>MAXIMUM CAPACITY (GB)</b>										
12 slot servers	24	48	96	*	48	192	12	*	*	24
								*	*	
<b>POPULATED DIMM SPEED (MHz)</b>										
1 DIMM Per Channel	1333	1333	1066	*	1066	1066	1333	*	*	1333
2 DIMM Per Channel	1333	1333	1066	*	800	800	1333	*	*	1333

\* - not supported by HP at this time.

### NOTES:

- Mixing DIMM speeds is allowed, but the system processor speed rules always override the DIMM capabilities
- If you do mix DIMM speeds, the memory bus will default to the minimum clock rate of all DIMMs in the system - even if the slower DIMM is on the other processor
- If you install 1x 1066MHz DIMM in channel 1 and 1x 1333MHz DIMM in channel 2, you still run at 1066MHz
- If you install 1x 1066MHz DIMM in channel 1 and 5x 1333MHz DIMMs with 1 DIMM Per Channel (DPC) in each of the other channels, you run at 1066MHz
- If you install 3DPC in one channel (if applicable) and 1DPC in all other channels, you run at 800MHz
- 95 Watt CPU's are required for 1333MHz DIMM speeds. All other CPU's are capable of up to 1066MHz
- References to the above MHz speeds are for the various speeds of DDR3 DIMMs; 1333 refers to DDR3-1333, etc.

### DIMM slot and configuration diagrams

#### Basic memory slot & population diagram

- Population order; start with "A" first, "B" second, "C" third, etc.

12 DIMM SLOTS (6 per CPU node)					
	CPU1		CPU2		
	slot #	population order	slot #	population order	
Chnl 1	1	D	1	D	Chnl 1
	2	A	2	A	
Chnl 2	3	E	3	E	Chnl 2
	4	B	4	B	
Chnl 3	5	F	5	F	Chnl 3
	6	C	6	C	

#### Standard memory configuration (1 CPU model)

- 6GB, consisting of three (3) 2GB dual-rank PC3-10600 RDIMMs



## Memory

	CPU1		CPU2		
	slot #	population order	slot #	population order	
Chnl 1	1	D; empty	1	D: empty	Chnl 1
	2	A; 2GB DIMM	2	A: empty	
Chnl 2	3	E; empty	3	E: empty	Chnl 2
	4	B; 2GB DIMM	4	B: empty	
Chnl 3	5	F; empty	5	F: empty	Chnl 3
	6	C; 2GB DIMM	6	C: empty	

### Standard memory plus optional memory (1 CPU model)

- 30GB, consisting of three (3) 2GB RDIMMs plus three (3) 8GB RDIMMs
  - 3x 2GB dual-rank PC3-10600 RDIMMs
- 3x 8GB dual-rank PC3-8500 RDIMMs

	CPU1		CPU2		
	slot #	population order	slot #	population order	
Chnl 1	1	D; 8GB DIMM	1	D: empty	Chnl 1
	2	A; 2GB DIMM	2	A: empty	
Chnl 2	3	E; 8GB DIMM	3	E: empty	Chnl 2
	4	B; 2GB DIMM	4	B: empty	
Chnl 3	5	F; 8GB DIMM	5	F: empty	Chnl 3
	6	C; 2GB DIMM	6	C: empty	

### Standard memory replaced with optional memory (1 CPU model)

#### RDIMM maximum configuration

- 96GB, consisting of six (6) 8GB dual-rank PC3-8500R-7 RDIMMs

	CPU1		CPU2		
	slot #	population order	slot #	population order	
Chnl 1	1	D; 16GB DIMM	1	D; empty	Chnl 1
	2	A; 16GB DIMM	2	A; empty	
Chnl 2	3	E; 16GB DIMM	3	E; empty	Chnl 2
	4	B; 16GB DIMM	4	B; empty	
Chnl 3	5	F; 16GB DIMM	5	I: empty	Chnl 3
	6	C; 16GB DIMM	6	C; empty	

### UDIMM maximum configuration (1 CPU model)

- 12GB, consisting of six (6) 2GB dual-rank PC3-10600 UDIMMs





## Memory

	CPU1		CPU2		
	slot #	population order	slot #	population order	
Chnl 1	1	D; 2GB DIMM	1	D; empty	Chnl 1
	2	A; 2GB DIMM	2	A; empty	
Chnl 2	3	E; 2GB DIMM	3	E; empty	Chnl 2
	4	B; 2GB DIMM	4	B; empty	
Chnl 3	5	F; 2GB DIMM	5	F; empty	Chnl 3
	6	C; 2GB DIMM	6	C; empty	

### Standard memory replaced with optional memory (2 CPU model) RDIMM maximum configuration

- 192GB, consisting of twelve (12) 8GB dual-rank PC3-8500R-7 RDIMMs

	CPU1		CPU2		
	slot #	population order	slot #	population order	
Chnl 1	1	D; 16GB DIMM	1	D; 16GB DIMM	Chnl 1
	2	A; 16GB DIMM	2	A; 16GB DIMM	
Chnl 2	3	E; 16GB DIMM	3	E; 16GB DIMM	Chnl 2
	4	B; 16GB DIMM	4	B; 16GB DIMM	
Chnl 3	5	F; 16GB DIMM	5	F; 16GB DIMM	Chnl 3
	6	C; 16GB DIMM	6	C; 16GB DIMM	

### UDIMM maximum configuration (2 CPU model)

- 24GB, consisting of twelve (12) 2GB dual-rank PC3-10600 UDIMMs

	CPU1		CPU2		
	slot #	population order	slot #	population order	
Chnl 1	1	D; 2GB DIMM	1	D; 2GB DIMM	Chnl 1
	2	A; 2GB DIMM	2	A; 2GB DIMM	
Chnl 2	3	E; 2GB DIMM	3	E; 2GB DIMM	Chnl 2
	4	B; 2GB DIMM	4	B; 2GB DIMM	
Chnl 3	5	F; 2GB DIMM	5	F; 2GB DIMM	Chnl 3
	6	C; 2GB DIMM	6	C; 2GB DIMM	

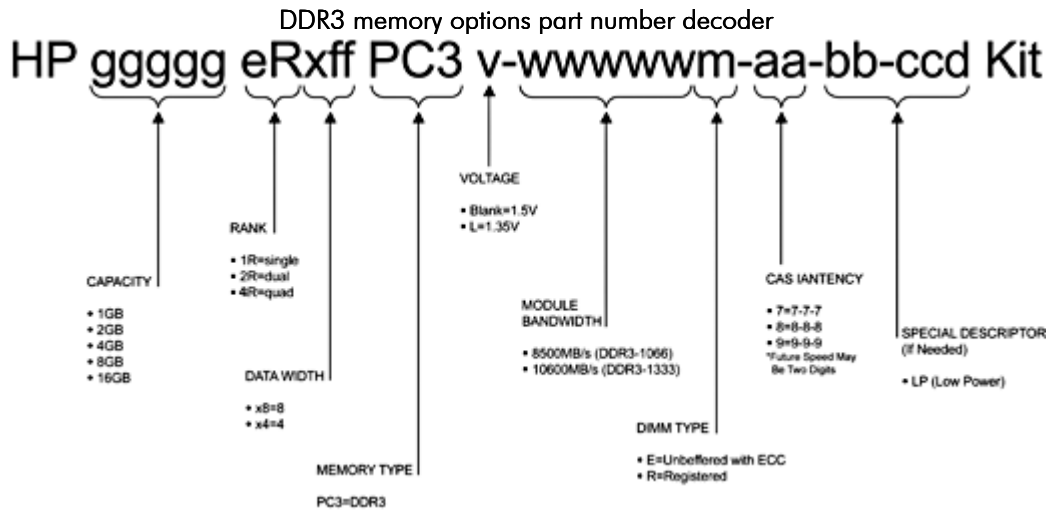
**NOTE:** Capacity references are rounded to the common Gigabyte values.

- 1GB = 1024MB
- 2GB = 2048MB
- 4GB = 4096MB
- 8GB = 8192MB



## Memory

- 16GB = 16384MB



Following are memory options available from HP:

### Memory

#### Registered DIMMs (RDIMMs)

HP 2GB (1x2GB) Dual Rank x8 PC3-10600 (DDR3-1333) Registered CAS-9 Memory Kit	500656-B21
HP 4GB (1x4GB) Dual Rank x4 PC3-10600 (DDR3-1333) Registered CAS-9 Memory Kit	500658-B21
HP 4GB (1x4GB) Quad Rank x8 PC3-8500 (DDR3-1066) Registered CAS-7 Low Power Memory Kit	500660-B21
HP 4GB (1x4GB) Single Rank x4 PC3-10600 (DDR3-1333) Registered CAS-9 Memory Kit	593339-B21
HP 8GB (1x8GB) Dual Rank x4 PC3-10600 (DDR3-1333) Registered CAS-9 Memory Kit	500662-B21
HP 16GB (1x16GB) Quad Rank x4 PC3-8500 (DDR3-1066) Registered CAS-7 Memory Kit	500666-B21

#### Unbuffered with ECC DIMMs (UDIMMs)

HP 1GB (1x1GB) Single Rank x8 PC3-10600 (DDR3-1333) Unbuffered CAS-9 Memory Kit	500668-B21
HP 2GB (1x2GB) Dual Rank x8 PC3-10600 (DDR3-1333) Unbuffered CAS-9 Memory Kit	500670-B21
HP 4GB (1x4GB) Dual Rank x8 PC3-10600 (DDR3-1333) Unbuffered CAS-9 Memory Kit	500672-B21

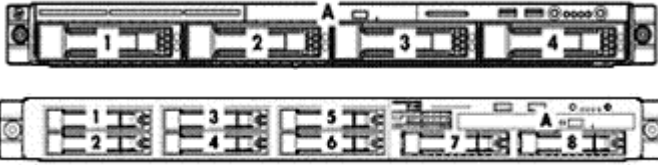
**NOTE:** All DDR3 memory option kits consist of one DIMM per kit. For detailed memory configuration rules and guidelines, please use the [Online DDR3 Memory Configuration Tool](http://www.hp.com/go/ddr3memory-configurator): [www.hp.com/go/ddr3memory-configurator](http://www.hp.com/go/ddr3memory-configurator).

**NOTE:** Kits described as LP include Low Power DIMMs. For more information on ProLiant Energy Efficient Features, see:

<http://h18004.www1.hp.com/products/servers/platforms/energyefficient/>



### Storage



- 1-4 Four Non-hot plug SATA or four 3.5" Hot-plug SAS/SATA hard drive bays
- A Optional DVD-ROM, or DVD RW
- 1-8 Eight 2.5" Hot-plug SATA/SAS hard drive bays
- A Optional DVD-ROM, or DVD RW

### Drive Support

	Quantity Supported	Position Supported	Controller
<b>Removable Media</b>			
DVD-ROM	Up to 1	A	Integrated IDE (ATAPI) (optional)
DVD RW	Up to 1	A	Integrated IDE (ATAPI) (optional)

#### Hard Drives

**NOTE:** The components of a storage subsystem (e.g. the drive, the HBA/controller, and the server backplane) should operate at the same data transfer rate or the system bandwidth will be negotiated down to an acceptable level for all components.

**NOTE:** Hard drives have either a one year or three year warranty; refer to the specific hard drive QuickSpecs for details.

#### SATA Non-Hot Plug LFF (3.5-inch) Midline (MDL) Drives

	Quantity Supported	Position Supported	Controller
2TB 3G SATA 7.2K 1TB 3G SATA 7.2K 500GB 3GSATA 7.2K	Up to 4	1-4	HP Embedded SATA RAID Controller <b>NOTE:</b> Transfer rate: 1.5 Gb/s SATA

#### SATA Non-Hot Plug LFF (3.5-inch) Entry (ETY) Drives

	Quantity Supported	Position Supported	Controller
250GB 3G SATA 7.2K 160GB 3G SATA 7.2K	Up to 4	1-4	HP Embedded SATA RAID Controller <b>NOTE:</b> Transfer rate: 1.5 Gb/s SATA

#### SATA Hot Plug LFF (3.5-inch) Midline (MDL) Drives

	Quantity Supported	Position Supported	Controller
2TB 3G SATA 7.2K 1TB 3G SATA 7.2K 500GB 3G SATA 7.2K 160GB 3G SATA 7.2K	Up to 4	1-4	HP Smart Array P212Controller HP Smart Arrays P410Controller <b>NOTE:</b> Support for transfer rates up to 3 Gb/s

#### SATA Hot Plug 3.5" Entry (ETY) Drives



## Storage

	Quantity Supported	Position Supported	Controller
250GB 3G SATA 7.2K 160GB 3G SATA 7.2K	Up to 4	1-4	HP Embedded SATA RAID Controller <b>NOTE:</b> Support for transfer rates up to 3 Gb/s

### SATA Hot Plug Midline (MDL) Solid State Drives

	Quantity Supported	Position Supported	Controller
60GB 3.0G SATA SSD 120GB 3.0G SATA SSD	Up to 8	1-8	HP Smart Array E200i/64MB Controller HP Smart Array E200i/128 BBWC Controller HP Smart Array E500/256MB Controller HP Smart Array P400/256MB Controller HP Smart Array P400/512MB BBWC Controller HP Smart Array P600/256 BBWC Controller HP Smart Array P800/512 BBWC Controller

### SATA Hot Plug 3.5" Midline (MDL) Solid State Drives

	Quantity Supported	Position Supported	Controller
60GB 3G SATA SSD 120GB 3G SATA SSD	Up to 4	1-4	HP Smart Array E200i/64MB Controller HP Smart Array E200i/128 BBWC Controller HP Smart Array E500/256MB Controller HP Smart Array P400/256MB Controller HP Smart Array P400/512MB BBWC Controller HP Smart Array P600/256 BBWC Controller HP Smart Array P800/512 BBWC Controller

### SATA Hot Plug SFF (2.5-inch) SFF Midline (MDL) Drives

	Quantity Supported	Position Supported	Controller
HP 1TB 3G SATA 7.2K	Up to 4	1-4	HP Smart Array E200i/64MB Controller HP Smart Array E200i/128 BBWC Controller HP Smart Array E500/256MB Controller HP Smart Array P400/256MB Controller HP Smart Array P400/512MB BBWC Controller HP Smart Array P600/256 BBWC Controller HP Smart Array P800/512 BBWC Controller

### SAS Hot Plug SFF (2.5-inch) Midline (MDL) Drives

	Quantity Supported	Position Supported	Controller
1.0TB 6G SAS 7.2K DP 500GB 6G SAS 7.2K DP	Up to 8	1-8	HP Smart Array P800/512 BBWC Controller HP Smart Array P212/Zero Memory Controller HP Smart Array P212/ 256 MB Controller HP Smart Array P410/256 MB Controller HP Smart Array P410/512 MB BBWC Controller



## Storage

HP Smart Array P411/256 MB Controller  
 HP Smart Array P411/512 MB BBWC Controller

### SAS Hot Plug LFF (3.5-inch) Midline (MDL) Drives

	Quantity Supported	Position Supported	Controller
2TB 6G SAS 7.2K	Up to 4	1-4	HP Smart Array P212Controller
1TB 6G SAS 7.2K			HP Smart Arrays P410Controller

**NOTE:** Support for transfer rates up to 3 Gb/s

### SAS Hot Plug SFF (2.5-inch) Enterprise (ENT) Drives

	Quantity Supported	Position Supported	Controller
600GB 6G SAS 10K	Up to 4	1-4	HP Smart Array P212Controller
450GB 6G SAS 10K			HP Smart Array P410Controller
300GB 6G SAS 10K			
146GB 6G SAS 15K			
146GB 6G SAS 10K			
72GB 6G SAS 15K			

**NOTE:** Support for transfer rates up to 3 Gb/s

### SAS Hot Plug LFF (3.5-inch) Enterprise (ENT) Drives

	Quantity Supported	Position Supported	Controller
600GB 6G SAS 15K	Up to 4	1-4	HP Smart Array P212Controller
450GB 6G SAS 15K			HP Smart Array P410Controller
300GB 6G SAS 15K			

**NOTE:** Support for transfer rates up to 3 Gb/s

### Tape and Disk-Based Backup

**NOTE:** For the complete range of StorageWorks tape drives, autoloaders, libraries and media, including the internal fitting models, see: <http://www.hp.com/go/tape>. For the complete range of StorageWorks D2D Backup Systems see: <http://www.hp.com/go/d2d>. For the complete range of StorageWorks RDX drives and media see: <http://www.hp.com/go/rdx>. For hardware and software compatibility of HP StorageWorks disk and tape backup products see: <http://www.hp.com/go/connect>.

	Position	Recommended Controller	Part Number
<b>HP StorageWorks SCSI Tape Drives</b>	External	HP SC11Xe Ultra320 Single Channel/ PCIe x4 SCSI Host Bus Adapter	412911-B21
LTO-1 Ultrium 232			
LTO-2 Ultrium 448			
LTO-3 Ultrium 920			
LTO-3 Ultrium 960			
LTO4 Ultrium 1760			
LTO-4 Ultrium 1840			
DAT 40			
DAT 72			
DAT 160			
1U Rack-Mount Kit			
3U Rack-Mount Kit			



## Storage

<b>HP StorageWorks USB Tape Drives</b> DAT 40 DAT 72 DAT 160 DAT 320 1U USB Rack-Mount Kit	External	USB 2.0 Port	N/A
<b>HP StorageWorks SAS Tape Drives</b> DAT 160 DAT 320 LTO-2 Ultrium 448 LTO-3 Ultrium 920 LTO-4 Ultrium 1760 LTO-4 Ultrium 1840 LTO-5 Ultrium 3000 LTO-5 Ultrium 3280 1U Rack-Mount Kit 3U Rack-Mount Kit	External	HP Smart Array P212/ZM 1-ports Int/1-ports Ext PCIe x8 SAS Controller	462828-B21
<b>HP StorageWorks SCSI Tape Autoloaders</b> DAT 72x10 Autoloader 1/8 G2 Autoloader	External	HP SC11Xe Ultra320 Single Channel/ PCIe x4 SCSI Host Bus Adapter	412911-B21
<b>HP StorageWorks SCSI Tape Libraries</b> MSL2024 MSL4048 MSL8096 MSL6000	External	HP StorageWorks U320e SCSI Dual Channel Host Bus Adapter	AH627A
<b>HP StorageWorks SAS Tape Autoloaders and Libraries</b> 1/8 G2 Autoloader MSL2024 MSL4048 MSL8096	External	HP Smart Array P212/ZM 1-ports Int/1-ports Ext PCIe x8 SAS Controller	462828-B21
<b>HP StorageWorks Fibre Channel Tape Libraries</b> MSL2024 MSL4048 MSL8096 MSL6000	External	Please consult the EBS connectivity matrix at: <a href="http://www.hp.com/go/ebs">http://www.hp.com/go/ebs</a> for connectivity information and the supported Fibre Channel HBAs shown in this QuickSpecs.	



### Storage

<b>HP StorageWorks USB RDX Removable Disk Backup System</b> RDX160 RDX320 RDX500 RDX750	External	USB 2.0 port	N/A
<b>HP StorageWorks D2D Backup Systems, iSCSI</b> D2D2500i D2D4000i	External	Embedded Network Controller. If the server requires a hardware iSCSI initiator, the QLogic QLA4050 Host Bus Adapter is recommended.	
<b>HP StorageWorks D2D Backup Systems, Fibre Channel</b> D2D4000fc	External	Direct server attach is not supported, requires connection via SAN fabric. See: <a href="http://www.hp.com/go/connect">http://www.hp.com/go/connect</a>	



### Power Specifications

HP High Efficiency 750W Power Supply/Backplane/Bracket G6 Factory Integrated Kit							
Part Number	535683-B21 Option Kit						
Input Voltage Range (Vrms)	100 to 240						
Frequency Range (Nominal) (Hz)	50/60						
Nominal Input Voltage (Vrms)	100	120	200	208	220	230	240
Max Rated Output Wattage Rating	750	750	750	750	750	750	750
Nominal Input Current (A rms)	8.9	7.4	4.3	4.1	3.9	3.7	3.6
Maximum Rated Input Wattage Rating (Watts)	857	847	824	825	820	820	820
Maximum Rated VA (Volt-Amp)	894	884	859	854	854	854	854
Efficiency (%)	87.5	88.5	91	91	91.5	91.5	91.5
Power Factor	0.97						
Leakage Current (mA)	0.42	0.50	0.83	0.87	0.92	0.96	1.00
Maximum Inrush Current (A peak)	30						
Maximum Inrush Current duration (mS)	20						
Maximum British Thermal Unit Rating (BTU-Hr)	2925	2892	2812	2812	2797	2797	2797

HP 500 Watts Non Hot Plug Power Supply Factory Integrated Kit							
Part Number	515915-B21 Option Kit						
Input Voltage Range (Vrms)	100 to 240						
Frequency Range (Nominal) (Hz)	47/63						
Nominal Input Voltage (Vrms)	100	120	200	220	230	240	
Maximum Rated Output Wattage	500	500	500	500	500	500	500
Nominal Input Current (A rms)	5.74	4.99	2.86	2.58	2.46	2.36	
Max Rated Input Wattage Rating (Watts)	568	568	562	556	556	556	
Max. Rated VA (Volt-Amp)	574	574	573	567	567	567	
Efficiency (%) at Max. Rated Output Wattage	88	88	89	90	90	90	
Power Factor	0.99	0.99	0.98	0.98	0.98	0.98	
Leakage Current (mA)	0.42	0.50	0.81	0.91	0.95	1.00	
Max. Inrush Current (A peak)	30						
Max. Inrush Current duration (mS)	20						
Maximum British Thermal Unit Rating (BTU-Hr)							





## Power Specifications

HP High Efficiency 460W Power Supply/Backplane/Bracket G6 Factory Integrated Kit							
Part Number	535684-B21 Option Kit						
Input Voltage Range (Vrms)	100 to 240						
Frequency Range (Nominal) (Hz)	50/60						
Nominal Input Voltage (Vrms)	100	120	200	208	220	230	240
Maximum Rated Output Wattage	460	460	460	460	460	460	460
Nominal Input Current (A rms)	5.5	4.5	2.6	2.5	2.4	2.3	2.2
Max Rated Input Wattage Rating (Watts)	526	520	505	505	503	503	503
Max. Rated VA (Volt-Amp)	548	542	527	527	524	524	524
Efficiency (%) at Max. Rated Output Wattage	87.5	88.5	91	91	91.5	91.5	91.5
Power Factor	0.97						
Leakage Current (mA)	0.42	0.50	0.83	0.87	0.92	0.96	1.00
Max. Inrush Current (A peak)	30						
Max. Inrush Current duration (mS)	20						
Maximum British Thermal Unit Rating (BTU-Hr)	1794	1773	1725	1725	1715	1715	1715

HP 400 Watts 1U G6 Redundant Power Supply Option Kit							
Part Number	532092-B21 Option Kit						
Input Voltage Range (Vrms)	100 to 240						
Frequency Range (Nominal) (Hz)	50/60						
Nominal Input Voltage (Vrms)	100	120	200	208	220	230	240
Maximum Rated Output Wattage	320	320	360	360	360	360	360
Nominal Input Current (A rms)	4.15	3.41	2.23	2.16	2.03	1.94	1.86
Max Rated Input Wattage Rating (Watts)	412	406	445	445	444	443	443
Max. Rated VA (Volt-Amp)	413	407	447	447	446	446	445
Efficiency (%) at Max. Rated Output Wattage	77.4	78.5	80.5	80.6	80.7	80.8	81.0
Power Factor	0.99						
Leakage Current (mA)	0.75	0.75	0.85	0.90	0.95	0.95	1.00
Max. Inrush Current (A peak)	35						
Max. Inrush Current duration (mS)	20						
Maximum British Thermal Unit Rating (BTU-Hr)	1354	1334	1462	1462	1459	1456	1456

**NOTE:** To review typical system power ratings use the Active Answers Power Advisor which is available via the online tool located at URL: [www.hp.com/go/proliant-energy-efficient](http://www.hp.com/go/proliant-energy-efficient) or [www.hp.com/go/hppoweradvisor](http://www.hp.com/go/hppoweradvisor)



### System Specifications

Power		
ProLiant DL160se G6 Fully Configured	115V/60Hz	220V/50Hz
Fully Loaded System Input Wattage (W)	448	445
Fully Loaded System Input Current (A rms)	3.833	2.046
Fully Loaded System Thermal (BTU- Hr)	1529	1518
Fully Loaded System VA (Volt-Amp)	449	454
System Inrush Current with all power supplies loaded (A)	10.1	10.96
Power cord requirements	Nema 5-15P to IEC320-C13	IEC320-C13 to IEC320-C14
<b>NOTE:</b> Power shown is for a fully configured system consisting of (2) CPU, (8) double-sided DIMMs, (2) HDDs, (1) CD-ROM, and (2) PCI cards.		
Power Cord	AF556A	

#### Server Power Cords

One 6' Highline (IEC-IEC) power cord ships standard

**NOTE:** HP ProLiant DL servers no longer ship standard with NEMA power cords (163719-002) that allow connection to 110V US wall outlets in a home or office. ProLiant DL servers are primarily connected to PDU's in data center racks so they now ship standard with only a PDU power cord (416151-B21). If a user wishes to power a ProLiant DL server using a 110V receptacle (NEMA-15), the NEMA power cord (227099-001) must be ordered separately.

If customers require a local power cord, they can check the power cord matrix for the appropriate cord. Please see the following power cord matrix: <http://www.hp.com/go/powercordmatrix>.



### Technical Specifications

<b>System Unit</b>	<b>Dimensions</b> (H x W x D) (with bezel)	1.70 x 17.64 x 26.85 in (4.32 x 44.80 x 68.20 cm)		
	<b>Weight</b> (approximate)	Maximum	34.00 lb (16.78 kg)	
		(all hard drives, power supplies, and processors installed)		
		Minimum	28.00 lb (12.7 kg)	
		(one hard drive, power supply, and processor installed)		
	<b>Input Requirements</b> (per power supply)	Rated Line Voltage	90 to 132 VAC 180 to 264 VAC	
		Rated Input Current	5.8 Amps (at 100 VAC) to 2.9 Amps (at 200 VAC)	
		Rated Input Frequency	47 to 63 Hz	
	<b>BTU Rating</b>	Rated Input Power	570W (at 100 VAC) 565W (at 200 VAC)	
		Maximum	500W	1940 BTU / hr (at 100 VAC) 1920 BTU/hr (at 200 VAC)
			460W	1773 BTU / hr (at 120 VAC) 1715 (at 240 VAC)
			750W	2892 BTU / hr (at 120 VAC) 2797 (at 240 VAC)
	<b>Power Specifications</b>	To review typical system power ratings use the Power Advisor which is available via the online tool located at URL: <a href="http://www.hp.com/go/proliant-energy-efficient">www.hp.com/go/proliant-energy-efficient</a> Or <a href="http://www.hp.com/go/hppoweradvisor">www.hp.com/go/hppoweradvisor</a>		
		- Click on the system of interest. Example: DL160 G6 - Follow the instructions of the next screens.		
	<b>Power Supply Output</b> (per power supply)	Rated Steady-State Power	500 Watts (at 100 VAC), 500 Watts (at 200 VAC)	
		Maximum Peak Power	500Watts (at 100 VAC), (See Power Specifications Tables) 500 Watts (at 200 VAC)	
	<b>System Inlet Temperature</b>	Operating	10° to 35°C (50° to 95°F) at sea level with an altitude derating of 1.0°C per every 305 m (1.8°F per every 1000 ft) above sea level to a maximum of 3050 m (10,000 ft), no direct sustained sunlight. Maximum rate of change is 10°C/hr (18°F/hr). The upper limit may be limited by the type and number of options	



### Technical Specifications

		installed.
		System performance may be reduced if operating with a fan fault or above 30°C (86°F).
<b>Relative Humidity</b> (non-condensing)	Non-operating	-30° to 60°C (-22° to 140°F). Maximum rate of change is 20°C/hr (36°F/hr).
	Operating	10 to 90% relative humidity (Rh), 28°C (82.4°F) maximum wet bulb temperature, non-condensing.
<b>Altitude</b>	Non-operating	-30° to 60°C (-22° to 140°F). Maximum rate of change is 20°C/hr (36°F/hr).
	Operating	3050 m (10,000 ft). This value may be limited by the type and number of options installed. Maximum allowable altitude change rate is 457 m/min (1500 ft/min).
<b>Acoustic Noise</b>	Non-operating	9144 m (30,000 ft). Maximum allowable altitude change rate is 457 m/min (1500 ft/min).
		Listed are the declared A-Weighted sound power levels (LWAd) and declared average bystander position A-Weighted sound pressure levels (LpAm) when the product is operating in a 23°C ambient environment. Noise emissions were measured in accordance with ISO 7779 (ECMA 74) and declared in accordance with ISO 9296 (ECMA 109).
	<b>Idle</b>	
	LWAd	6.4 B
	LpAm	49dBA
	<b>Operating</b>	
	LWAd	6.4 B
	LpAm	49dBA
<b>Emissions Classification</b> (EMC)	FCC Rating	Class A
	Normative Standards	CISPR 22; EN55022; EN55024; FCC CFR 47, Pt 15; ICES-003; CNS13438; GB9254; K22;K24; EN 61000-3-2; EN 61000-3-3; EN 60950-1; IEC 60950-1

**NOTE:** Product conformance to cited product specifications is based on sample (type) testing, evaluation, or assessment. This product or family of products is eligible to bear the appropriate compliance logos and statements.



### Technical Specifications

NC362i Integrated Dual Port Gigabit Server Adapter	Network Interface	Integrated 10/100/1000BASE-T Transceiver Combines a triple-speed IEEE 802.3TM - Compliant Media Access Controller (MAC) with a triple-speed Ethernet transceiver.	
	Data Transfer Method	Compliant to x1 PCIe Specification	
	Controller	Intel® 82576	
	Network Transfer Rate	10Base-T (Half-Duplex)	10 Mb/s
		10Base-T (Full-Duplex)	20 Mb/s
		100Base-TX (Half-Duplex)	100 Mb/s
		100Base-TX (Full-Duplex)	200 Mb/s
		1000Base-TX (Half and Full-Duplex)	2000Mb/s
Connector	RJ-45 connector		
Cable Support	Performs all the physical layer functions for 10BASE-T, 100BASE-T, and 1000BASE-T Ethernet on standard Category 5 UTP		
<hr/>			
Smart Array P410/410i Controller	Disk Drive and Enclosure Interface	6Gb/s SAS (Serial Attached SCSI) 3Gb/s SATA (Serial ATA)	
	SAS Connectors	2 internal (Mini-SAS) x8 wide port connectors	
	Cache Memory Speed	DDR2-533MHz with 40 or 72-bit wide bus provides up to 4.2 GB/s maximum bandwidth.	
	Server Interface	x8 2.5G PCIe 2.0 provides 2GB/s maximum bandwidth	
	SAS Speed	x8 6Gb/s SAS provides 4.8GB/s maximum bandwidth	
	Cache Memory	40-bit 256MB ECC protected cache (72-bit 512MB BBWC module upgrades available); transportable with battery-backed upgrade	
	Logical Drives Supported	Up to 64 logical drives	
	Host Memory Addressing	64-bit, supporting greater than 4GB server memory space	
	RAID Support	RAID 6, 6+0 (Advanced Data Guarding)	<b>NOTE:</b> The minimum of 256 MB cache, battery kit, and Smart Array Advanced Pack License Key upgrade is required to enable RAID 6, 6+0
		RAID 5, 5+0 (Distributed Data Guarding)	<b>NOTE:</b> The 256 MB is required to enable RAID 5, 5+0 support of the Smart Array P410
RAID 1+0 (Striping & Mirroring)			
RAID 0 (Striping)			



### Technical Specifications

#### Environment-friendly Products and Approach

#### End-of-life Management and Recycling

Hewlett-Packard offers end-of-life HP product return, trade-in, and recycling programs in many geographic areas. For trade-in information, please go to: <http://www.hp.com/go/green>. To recycle your product, please go to: <http://www.hp.com/go/green> or contact your nearest HP sales office. Products returned to HP will be recycled, recovered or disposed of in a responsible manner.

The EU WEEE directive (2002/95/EC) requires manufacturers to provide treatment information for each product type for use by treatment facilities. This information (product disassembly instructions) is posted on the Hewlett Packard web site at: <http://www.hp.com/go/green>. These instructions may be used by recyclers and other WEEE treatment facilities as well as HP OEM customers who integrate and re-sell HP equipment.

---

© Copyright 2011 Hewlett-Packard Development Company, L.P.

The information contained herein is subject to change without notice.

Microsoft and Windows NT are US registered trademarks of Microsoft Corporation. Intel, the Intel logo, Xeon and Xeon Inside are trademarks of Intel Corporation in the U.S. and other countries.

The only warranties for HP products and services are set forth in the express warranty statements accompanying such products and services. Nothing herein should be construed as constituting an additional warranty. HP shall not be liable for technical or editorial errors or omissions contained herein.

For hard drives, 1GB = 1 billion bytes. Actual formatted capacity is less.

